

### INSTALLATION PROCEDURE



**1** Set header over wall section.



**2** Set hinge jamb over wall section.



**3** Set strike jamb over wall section.



**4** Pull down header. Attach hinges and hang door.



**5** Apply fasteners starting at upper end of hinge jamb.



**6** Slide corner backing angles into header casing.



**7** Snap on header casing.



**8** Slide jamb casing over corner backing angles. Align with jamb clips then snap on casing.

- 1** Set header over wall section, centering header in opening (Fig. 1).
- 2** Hold hinge jamb at an angle, slide jamb over wall section, positioning the door stop between header tab and header door stop. Press entire length of jamb over wall section. If wall fit is snug, rotate jamb slightly while applying pressure (Fig. 2).
- 3** Repeat steps in Fig. 2 to install strike jamb (Fig. 3).
- 4** Pull firmly down on header so that side jambs rest on finished floor. If floor covering is not yet installed, place a shim which equals thickness of floor covering underneath side jambs (Fig. 4). **DO NOT FASTEN FRAME YET.**
- 5** Install door and close in frame opening using the door as a template. Adjust frame to door so that clearances between top and sides of door and frame are equal and between 1/16"–1/8" (2-3 mm) (Fig. 5). (See Page 2 for fastening schedule.)

For **Wood Casing Application**, use Wood Casing Instructions (Pg. 3). For

**Steel, Aluminum or S56 Steel Colonial Casing Applications** proceed with Steps 6, 7, and 8 below (Fig. 11, Pg 3).

- 6** Before applying casing, be sure all casing clips (Fig. 9, Page 2) are touching wall surface to assure snug fit of casing to wall. Slide corner pieces into header so that edges fit securely in casing channels (Fig. 6).
- 7** Position header casing so that both ends are equal distance from jamb face, then secure casing edge over top of clip. Snap casing in downward direction over bottom of clip (Fig. 7).
- 8** Slide jamb casing at slight angle over corner pieces so that edges fit securely in casing channel. Push casing upward to meet miter, then check for tight fit. Adjust header casing either left or right or push up on sides to form tight miter. Secure jamb casing edge over outside clip, pushing casing toward inside.

**NOTE: On S56 casing**, apply slight pressure on the outside edge of casing towards the door opening. Inside edge of casing will slip over remaining clip.

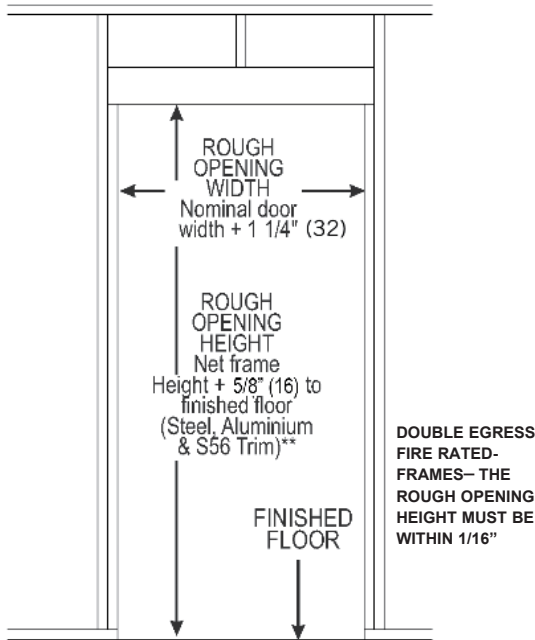
**TO REMOVE CASING**, use a small common screwdriver with a flat edge or a stiff putty knife. Start at the bottom of the upright casing on the **inside** of the frame. Gently insert the edge of the screwdriver between the casing and the leg of the frame. Slowly work the screwdriver up the casing to the first lance. Rotate the screwdriver in a **counter-clockwise** motion; the casing will pop off the inside curl of the lance. Repeat this procedure with remaining lances. After all inside lances have been cleared, gently ease the casing from under the **outside** lance curl and remove.

#### PRODUCT APPLICATION REQUIREMENTS

**PAINT:** Primed units should be painted within 30 (thirty) days with an oil-based enamel (recommended) or a high quality water base latex. A flash rust inhibitor must be used with water base latex method. **PAINT INSTRUCTION DETAILS:** (1) Wet-clean with mild abrasive cleaner. Rinse completely and wipe dry; (2) Use a high quality interior or exterior (depending upon application) paint to finish the frame. Apply paint when temperature is above 50 degrees F and humidity is below 90%; (3) **DO NOT PAINT WEATHERSTRIP.** Kerf weatherstrip can be temporarily removed for painting. Consult factory.

**WEATHERSTRIP:** Products such as Ultra or Pemko that compress to 1/16" (2 mm) maximum is recommended. NOT meeting this requirements **COULD** result in hinge bind.

# REDIFRAME® FRAMING and FASTENING SCHEDULE



\* 3-0 (36" Nominal Door Width) + 1 1/4" = 37 1/4"  
 \*\* Net frame height is +1/2" (16") to finished floor when using wood trim.

DOUBLE EGRESS FIRE RATED-FRAMES- THE ROUGH OPENING HEIGHT MUST BE WITHIN 1/16"

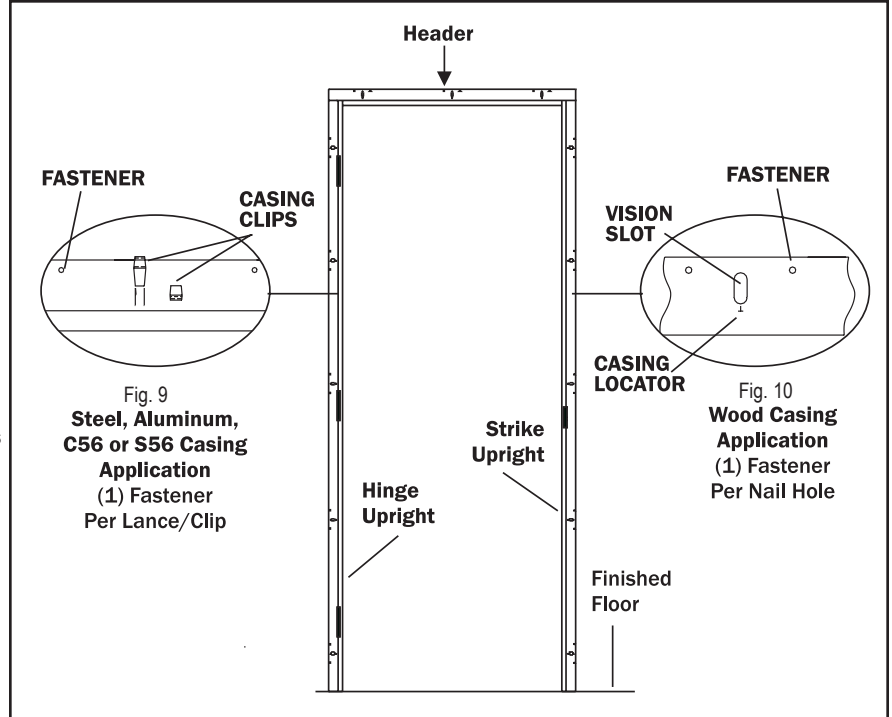


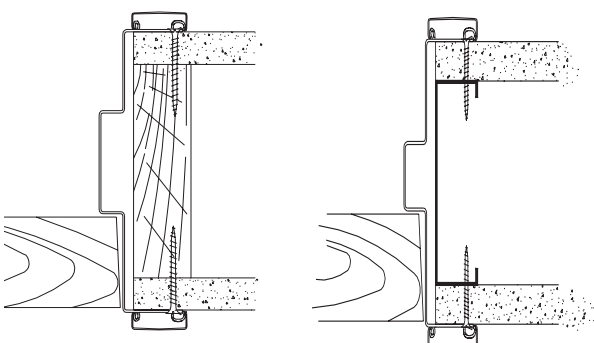
Fig. 9  
**Steel, Aluminum, C56 or S56 Casing Application**  
 (1) Fastener Per Lance/Clip

Fig. 10  
**Wood Casing Application**  
 (1) Fastener Per Nail Hole

**NOTE-BEFORE FASTENING:** Determine hardware and reinforcements to be used (thresholds, closer, etc.)  
 Be sure frame is not twisted.

**NOTE: ON FIRE-RATED FRAMES,** fasteners must be a minimum of 1/2" (13) longer than the thickness of the drywall or sheathing applied to the stud.

- 1 TO SECURE HINGE UPRIGHT:** Proceed downward from upper end of hinge upright. Apply one (1) fastener per lance / nail hole.
- 2 TO SECURE HEADER:** Fasten header above hinge upright and proceed toward strike side. Apply one (1) fastener per lance / nail hole.
- 3 TO SECURE STRIKE UPRIGHT:** Proceed downward from upper end of strike upright. Apply one (1) fastener per lance / nail hole.



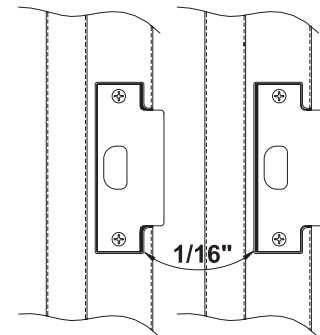
Wall Construction:  
**Wood Studs & Drywall**  
 Recommended Fasteners:  
 1-1/4" (32) (min.)  
 Drywall Screws,  
 Coarse Threads or 8D  
 Common Nail

Wall Construction:  
**Metal Studs & Drywall**  
 Recommended Fasteners:  
 1-1/4" (32) (min.) Type "S"  
 Bugle Head Self-Tapping  
 Screws

MINIMUM  
 STUB WALL =  
 CASING WIDTH + 1/2" (13)  
 MINIMUM  
 STUB WALL =  
 CASING WIDTH + 1/2"  
 (13)

STUB WALL  
 Example:  
**Steel & Aluminum Casing:**  
 1-1/2" (38) + 1/2" (13)  
 = 2" (51)  
**S56 Casing:**  
 2-1/4" (57) + 1/2" (13)  
 = 2-3/4" (70)

## ADJUSTABLE ASA STRIKE EMBOSS AND BACKUP PLATE



- 1 Loosen Screws**
- 2 Adjust Strike:** strike plate can be moved 1/16" (2) horizontally to accommodate strike position.
- 3 Retighten Screws**
- 4 No Grinding Strike Plate Required**

# CASING INSTRUCTIONS

## WOOD CASING (Refer to Fig. 10, Pg. 2):

- 1** Located approximately 1/4" (6) from the inside edge of the frame opening, and centered on the vision slot, is a "T" shaped casing locator (Fig. 10, Pg. 2). Align wood casing edge to barely cover the "T" locator on header and uprights.
- 2** Position nail approximately 1/2" (13) from edge of the casing and centered on "T" locator.
- 3** Secure casing by simply driving nails flush with casing.

**SEE PAGE 1 (STEPS 6, 7 & 8) FOR STEEL, ALUMINUM, AND S56 INSTRUCTIONS.**

### POSITIVE PRESSURE REQUIREMENTS:

**CATEGORY "A" DOORS:** No additional edge sealing required.  
**CATEGORY "B" DOORS:** Additional Category "G" edge sealing required per the edge seal installation instructions.  
**"S" MARK VALID ONLY IF LISTED CATEGORY "H" SMOKE AND DRAFT CONTROL GASKET IS APPLIED.**

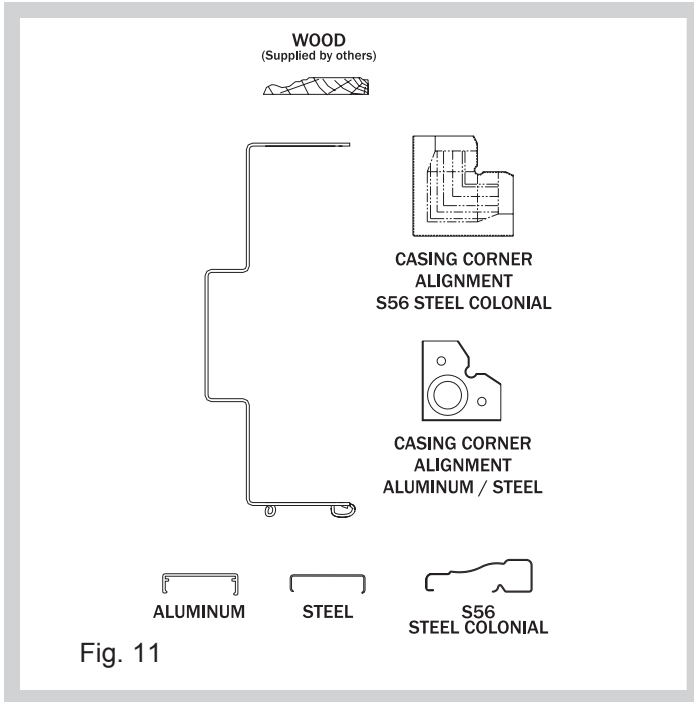


Fig. 11

## INSTALLATION OF REGULAR ARM CLOSER REINFORCEMENT

- 1** Position closer reinforcement on header where the door closer shoe is to be mounted (Fig. 12).
- 2** Mount the reinforcement flush with the header face.
- 3** Drill 3/16" (5) pilot holes in the header through the countersunk holes in the reinforcement and secure with 1-1/4" (32) Type "S" Bugle Head Self-Tapping Screws.
- 4** Install header casing.
- 5** Position closer shoe on frame and drill pilot holes through the casing and regular arm closer reinforcement.
- 6** Tap these holes as per the Closer Installation Instructions.
- 7** Secure the closer shoe to the frame.

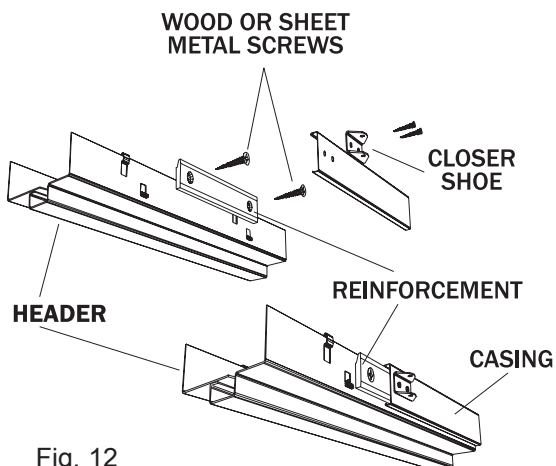
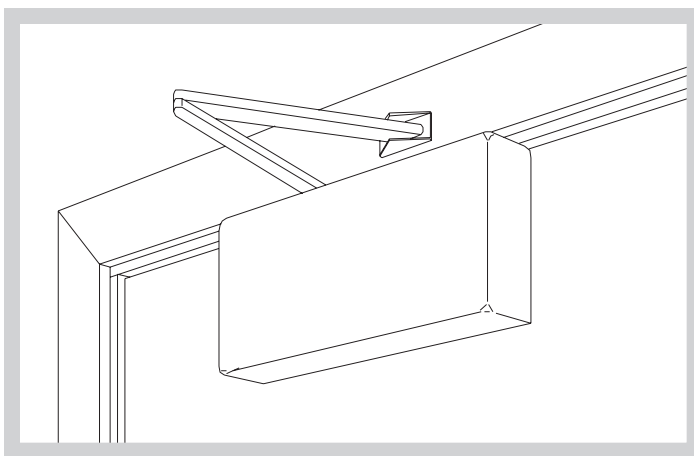


Fig. 12

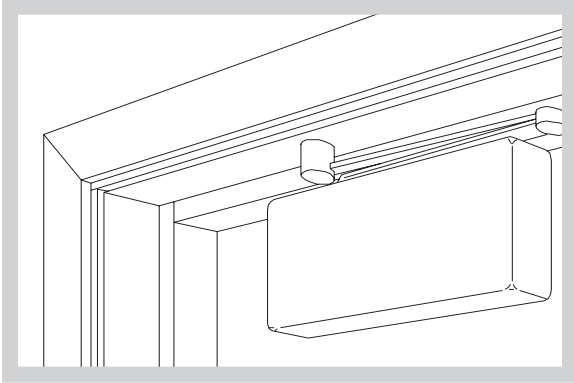
Warnock Hersey



### LISTED FRAMES

CLOSER REINFORCEMENT IS OPTIONAL. IF REINFORCEMENT IS NOT USED, THROUGH BOLT INSTALLATION IS REQUIRED.

# INSTALLATION OF PARALLEL ARM CLOSER REINFORCEMENT



- 1 Clean general area where Parallel Arm Closer Reinforcement is to be positioned on header with solvent.
- 2 Expose double face tape by removing paper backing on two strips of tape (Fig. 13) and press into position to secure the sleeve to the header (Fig. 14).
- 3 Drill and tap through frame and reinforcement for closer shoe attachment (Fig. 17).
- 4 Install frame and door in conventional manner.

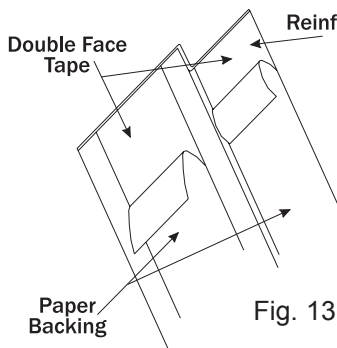


Fig. 13

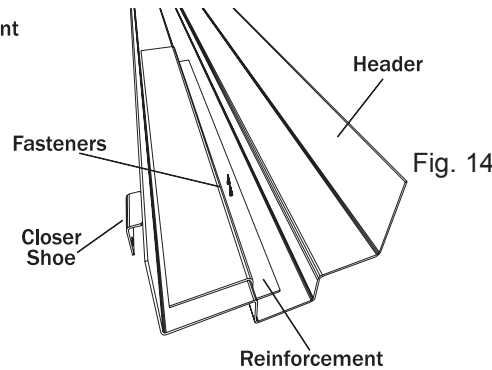


Fig. 14

**WARNING**  
THE PARALLEL ARM CLOSER REINFORCEMENT SLEEVE MUST BE ATTACHED **BEFORE INSTALLING** THE DOOR FRAME.

# INSTALLATION OF RIM EXIT REINFORCEMENT

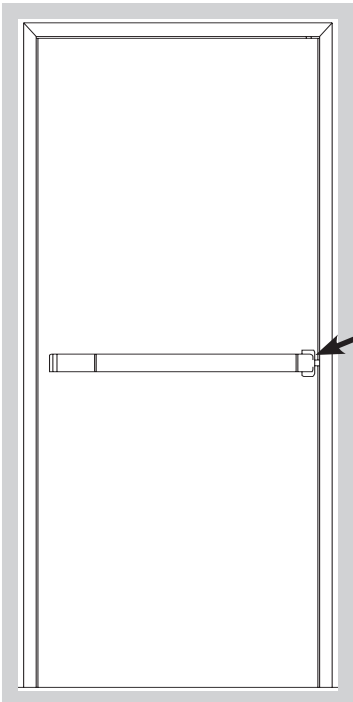
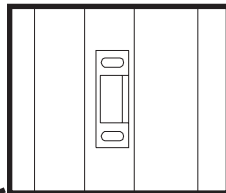


Fig. 17  
Surface-Applied Strike



- 1 Clean general area with solvent where Rim Exit Reinforcement is to be positioned on upright.
- 2 Expose double face tape by removing paper backing on two strips of tape (Fig. 15) and press into position to secure the sleeve to the frame (Fig. 16).
- 3 Drill and tap through frame and reinforcement for hardware attachment (Fig. 17).
- 4 Install frame and door in conventional manner.

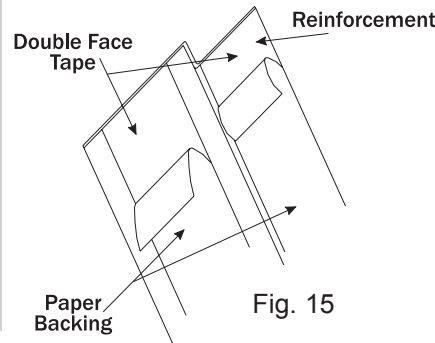


Fig. 15

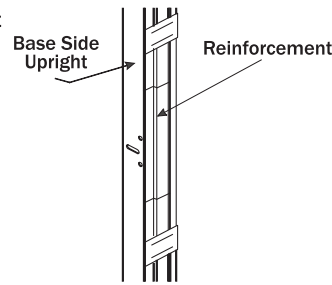


Fig. 16

**WARNING**  
THE RIM EXIT REINFORCEMENT SLEEVE MUST BE ATTACHED **BEFORE INSTALLING** THE DOOR FRAME.

All increments shown in (parenthesis) are millimeters unless otherwise indicated. Imperial and metric dimensions may not be equivalents.

1101 Technology Drive | Dothan, Alabama 36303  
800.633.7553 | 334.794.9184 fax  
www.dunbarton.com | sales@dunbarton.com



Scan to go directly to Installation Videos Web Page.