

REDIFRAME® ■ REDIFLEX®
REDIFIT ■ SLIMFOLD
HOLLOW METAL ■ SIDELITES
BORROWED LITES ■ POCKET DOORS

Rough Opening Guide



**DUNBARTON
CORPORATION**

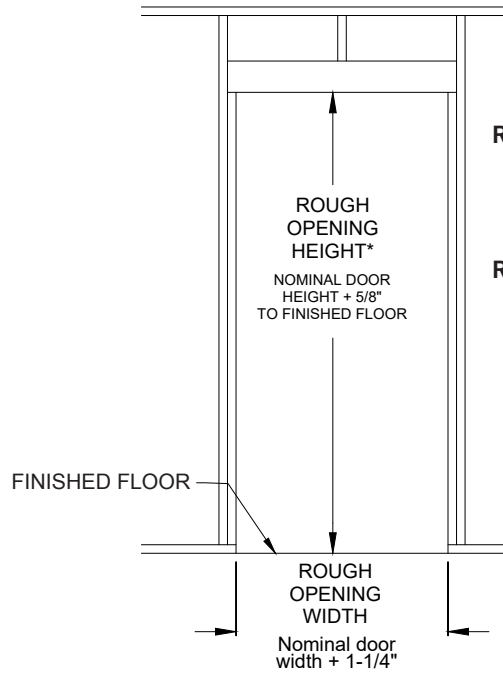
1101 Technology Drive | Dothan, Alabama 36303
800.633.7553 | 334.794.9184 fax
www.dunbarton.com | sales@dunbarton.com

TABLE OF CONTENTS

PAGE	DESCRIPTION
2	Table of Contents
3	RediFrame, RediFlex and RediFit Rough Opening Standard Single and Pair
4	RediFrame Sidelite and Partial Sidelite Rough Opening
5	RediFrame Borrowed Lites and Pocket Doors
6	RediFrame and RediFlex Masonry Rough Opening
7	SlimFold 4100 Finished Openings and 4175 Rough Openings
8	SlimFold 4260 and 4050 Finished Openings
9	SlimFold Steel Bifold Finished Opening
10	Hollow Metal Adjustable and Drywall Rough Opening
11	Hollow Metal Masonry Rough Openings

REDIFRAME® and REDIFLEX® Rough Opening

Standard Drywall Rough Opening for Single Door Standard RediFrame | Kerfed RediFrame, Standard RediFlex | Kerfed RediFlex | RediFit



Rough Opening Width Doors:

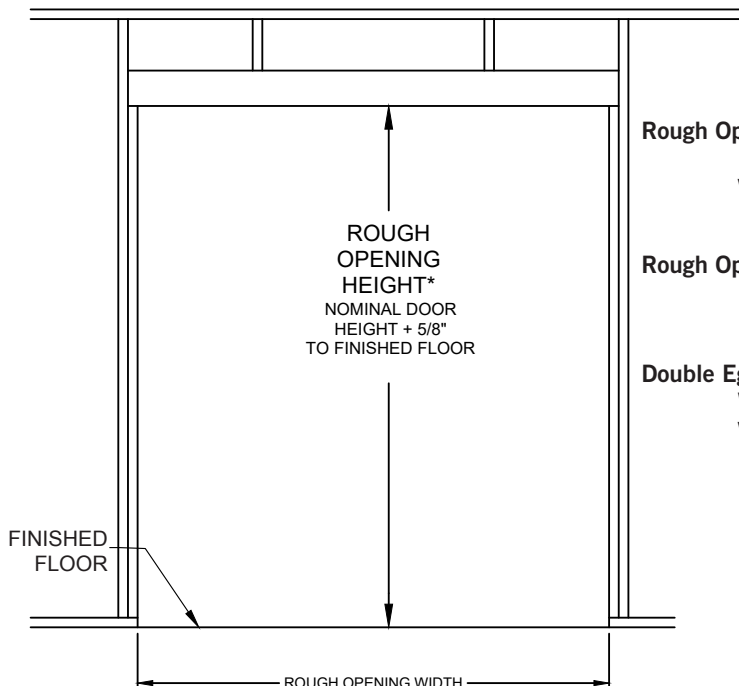
Equal to nominal door widths plus 1-1/4" plus astragal width if used

Rough Opening Height:

Nominal door height plus 5/8" to finished floor

Opening size can be increased, but remember for fire-rated openings a minimum of 1/2" drywall must extend inside the frame on all three sides.

Standard Drywall Rough Opening for Pair Door Standard RediFrame | Kerfed RediFrame, Standard RediFlex | Kerfed RediFlex | RediFit



Rough Opening Width Pair Doors:

Equal to nominal door widths plus 1-1/4" plus astragal width if used

Rough Opening Height:

Nominal door height plus 5/8" to finished floor

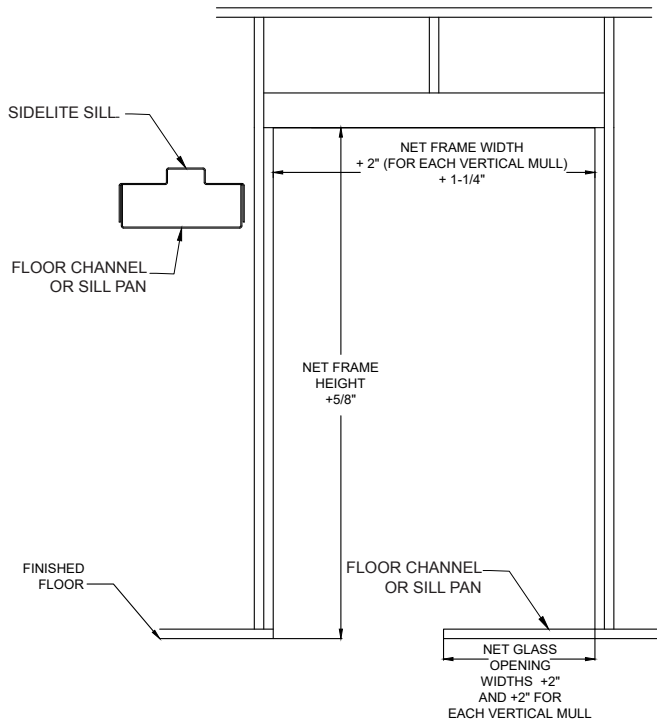
Double Egress Doors:

Width is equal to nominal door widths +2-1/2" plus astragal width if used

Opening size can be increased, but remember for fire-rated openings a minimum of 1/2" drywall must extend inside the frame on all three sides.

REDIFRAME Sidelite Rough Opening

Rough Opening for Sidelite



Rough Opening Width:

Nominal door opening width, plus net glass opening width, plus 2" for each vertical mullion plus 1-1/4"

Rough Opening Height:

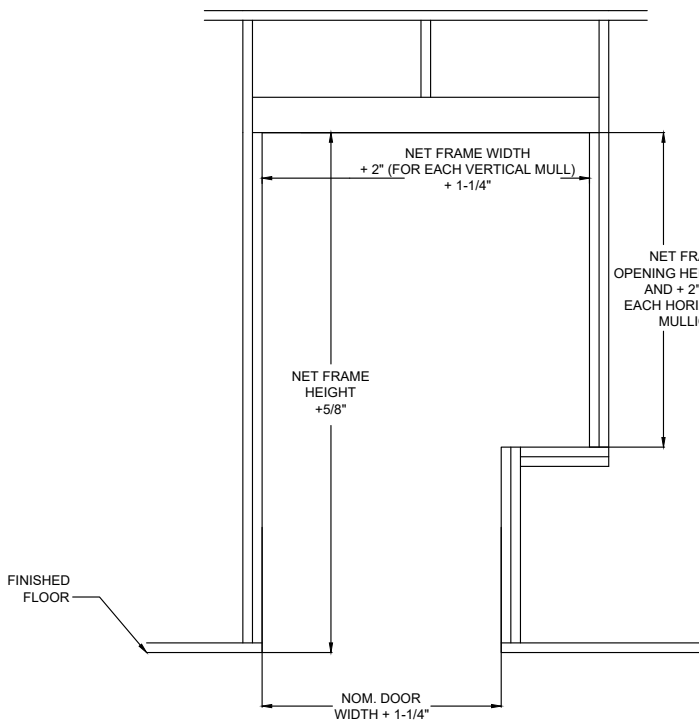
Nominal door height plus 5/8" to finished floor

Floor Channel Width

Net glass opening width is plus 2" and plus 2" for each vertical mullion.

Recommended glass size should be cut 1/4" less than width total and 1/4" less than height total. Be sure to measure after frame installation.

Rough Opening for Partial Sidelite



Rough Opening Width Doors:

Equals nominal door width plus 1-1/4"

Rough Opening Height:

Nominal door height plus 5/8" to finished floor

Sidelite Net Opening Height:

Net frame opening heights plus 1" and 2" for each horizontal mullion.

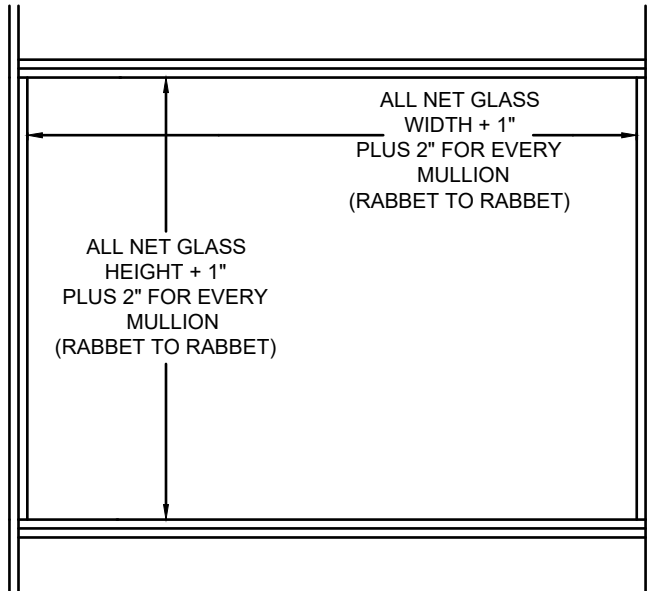
Sidelite Net Opening Width:

Net frame opening width plus 2" (for each vertical mullion) plus 1-1/4"

Recommended glass size should be cut 1/4" less than width total and 1/4" less than height total. Be sure to measure after frame installation.

REDIFRAME Borrowed Lites and Pocket Doors

Rough Opening for Borrowed Lites



Frame Opening Width:

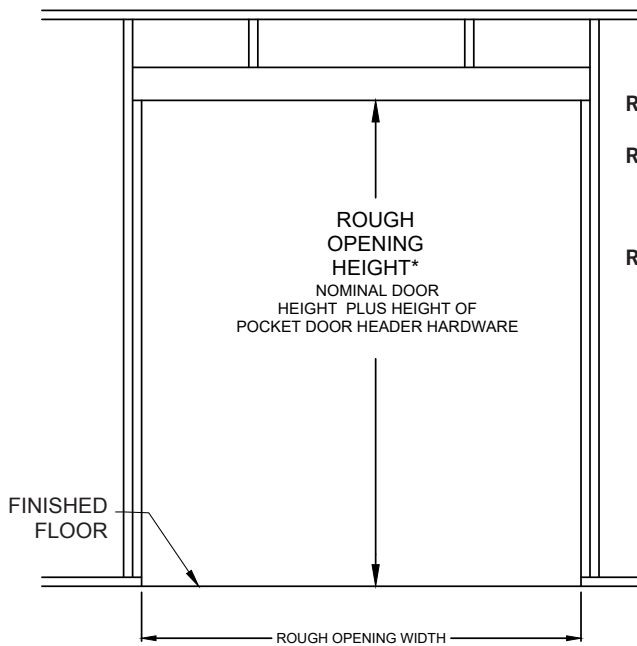
All net glass width plus 1" plus an additional 2" for every mullion measured rabbet to rabbet.

Frame Opening Height:

All net glass height plus 1" plus an additional 2" for every mullion measured rabbet to rabbet.

Recommended glass size should be cut 1/4" less than width total and 1/4" less than height total. Be sure to measure after frame installation.

Standard Drywall Rough Opening for Pocket Doors



Rough Opening Width Single Door:

Equal to nominal door width x 2 plus 1"

Rough Opening Width Pair Doors:

Equal to nominal door width x 4 plus 1-1/2"

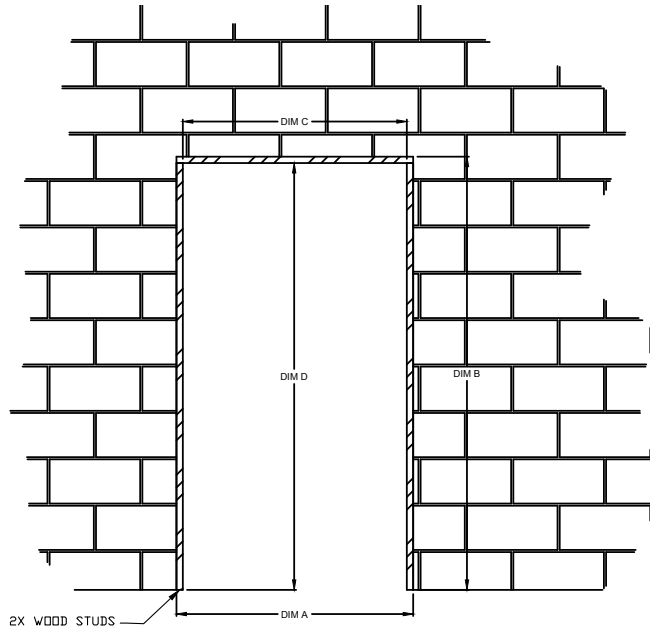
Rough Opening Height:

Nominal Door height plus height of pocket door header hardware

Please consult the instruction sheet for the pocket door hardware you are installing due to some pocket doors may require different rough opening dimensions than indicated by Dunbarton instructions.

REDIFRAME® and REDIFLEX® Masonry Rough Opening

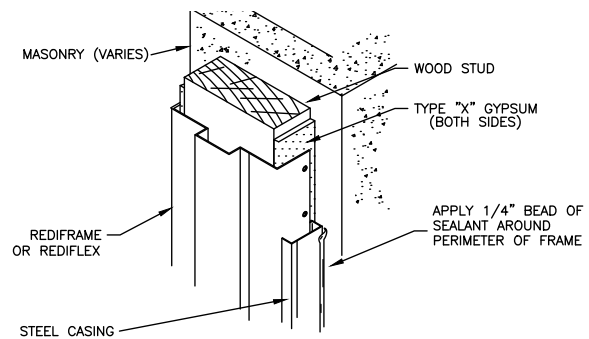
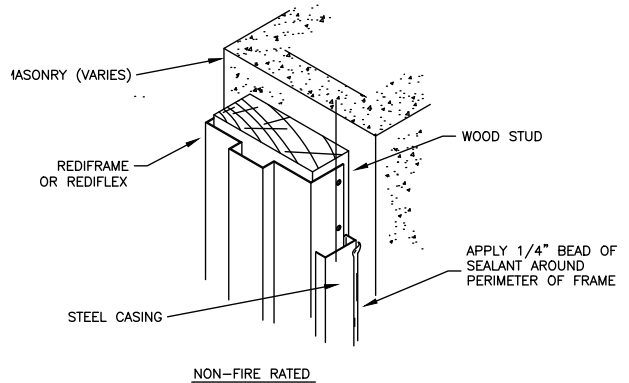
Rough Opening for RediFrame | RediFlex in Masonry Wall Installation



Instructions:

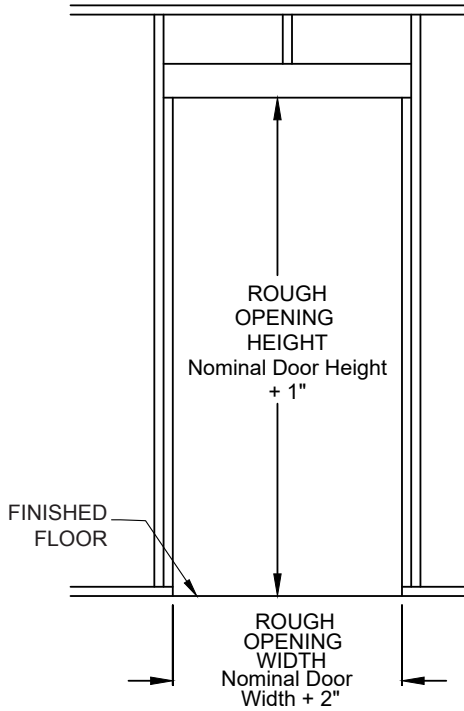
2X wood studs must be installed into the masonry opening prior to installation of the steel frame. The frame is then attached to the wood studs. Gypsum siding is required for fire-rating.

Nominal Door Size	DIM A	DIM B	DIM C	DIM D
2068	28"	82-3/16"	25"	80-11/16"
2468	32"	82-3/16"	29"	80-11/16"
2668	34"	82-3/16"	31"	80-11/16"
2868	36"	82-3/16"	33"	80-11/16"
3068	40"	82-3/16"	37"	80-11/16"
3668	46"	82-3/16"	43"	80-11/16"
4068	52"	82-3/16"	49"	80-11/16"
5068	64"	82-3/16"	61"	80-11/16"
6068	76"	82-3/16"	73"	80-11/16"
2070	28"	82-3/16"	25"	84-11/16"
2470	32"	82-3/16"	29"	84-11/16"
2670	34"	82-3/16"	31"	84-11/16"
2870	36"	82-3/16"	33"	84-11/16"
3070	40"	82-3/16"	37"	84-11/16"
3670	46"	82-3/16"	43"	84-11/16"
4070	52"	82-3/16"	49"	84-11/16"
5070	64"	82-3/16"	61"	84-11/16"
6070	76"	82-3/16"	73"	84-11/16"
2080	28"	98-3/16"	25"	96-11/16"
2480	32"	98-3/16"	29"	96-11/16"
2680	34"	98-3/16"	31"	96-11/16"
2880	36"	98-3/16"	33"	96-11/16"
3080	40"	98-3/16"	37"	96-11/16"
3680	46"	98-3/16"	43"	96-11/16"
4080	52"	98-3/16"	49"	96-11/16"
5080	64"	98-3/16"	61"	96-11/16"
6080	76"	98-3/16"	73"	96-11/16"



HOLLOW METAL Adjustable and Drywall Rough Opening

Standard Drywall Rough Opening for KD 2" Face Drywall Hollow Metal Frames | Adjustable Hollow Metal Frames



Rough Opening Width:

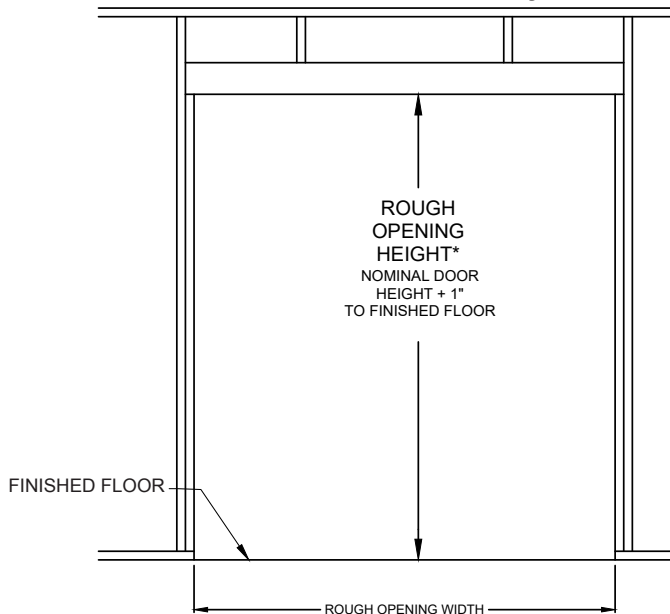
Equal to nominal door width plus 2"

Rough Opening Height:

Nominal door height plus 1" to finished floor

Opening size can be increased, but remember for fire-rated openings a minimum of 1/2" drywall must extend inside the frame on all three sides.

Standard Drywall Rough Opening for Pair Drywall 2" Face Hollow Metal Frames | Adjustable Hollow Metal Frames



Rough Opening Width Pair Doors:

Equal to nominal door width plus 2"

Rough Opening Height:

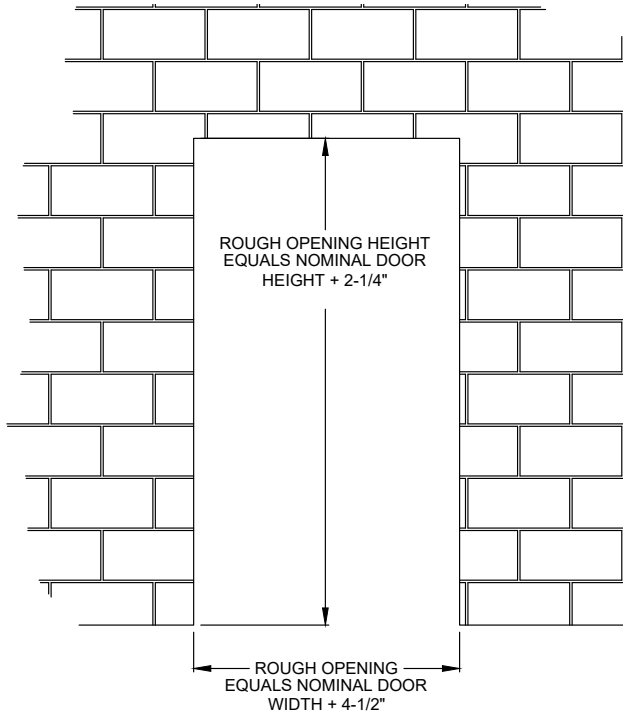
Nominal Door height plus height plus 1" to finished floor

**ROUGH OPENING WIDTH FOR
PAIR DOORS IS EQUAL TO
NOMINAL DOOR WIDTHS + 2"**

Please consult the instruction sheet for the pocket door hardware you are installing due to some pocket doors may require different rough opening dimensions than indicated by Dunbarton instructions.

HOLLOW METAL Masonry Rough Openings

Standard Rough Opening for KD 2" Face Masonry Hollow Metal Frames



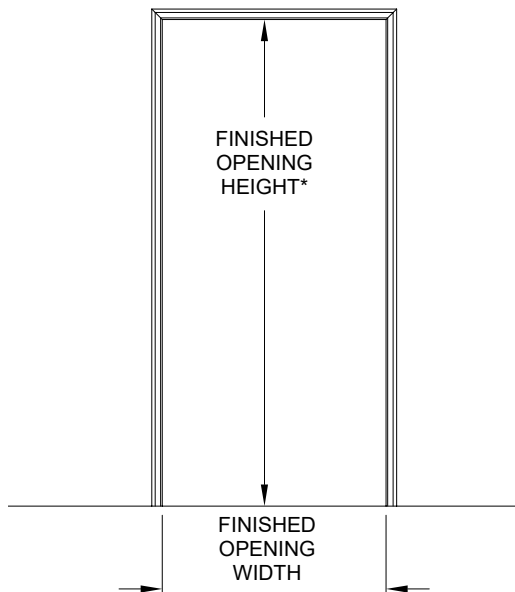
Rough Opening Width:
Equal to nominal door width plus 4-1/2"

Rough Opening Height:
Equal to nominal door height plus 2-1/4"

Hollow Metal masonry frames can be installed with a variety of anchors and installed as the opening is built or after completion.

SLIMFOLD 4100 Finished Openings and 4175 Rough Openings

Standard Finished Opening for 4100 Overlay Mirror



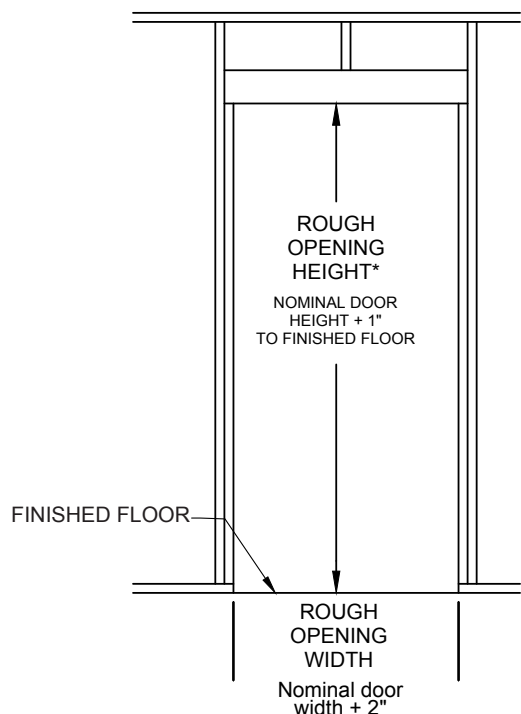
Nominal Door Opening Width	Opening Width	Nominal Height	Opening Height	Panel Width	Panel Height
2'0"	24"	6'8"	80-1/2"	28-1/2"	81"
2'6"	30"	6'8"	80-1/2"	34-1/2"	81"
3'0"	36"	6'8"	80-1/2"	40-1/2"	81"
2'0"	24"	7'0"	84"	28-1/2"	85"
2'6"	30"	7'0"	84"	34-1/2"	85"
3'0"	36"	7'0"	84"	40-1/2"	85"

Finished Opening Width Tolerance:
+1/-3"

Finished Opening Height Tolerance:
+1-1/2"/0"

A typical opening for a mirror door is completely finished. Drywall is installed on both sides prior to door installation.

Standard Drywall Rough Opening for 4175 Standard Mirror Door

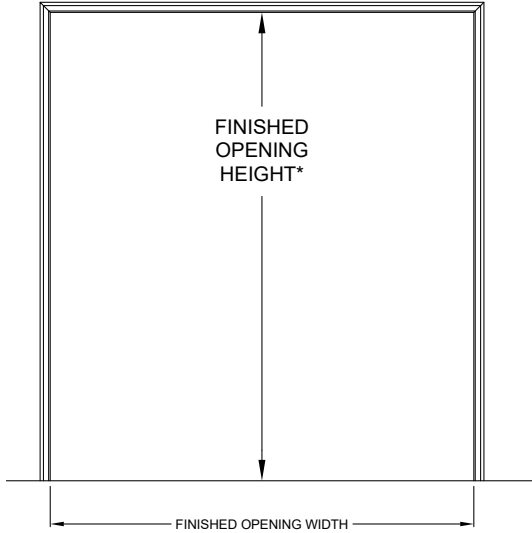


Rough Opening Width:
Equal to nominal door width plus 2"

Rough Opening Height:
Nominal door height plus 1" to finished floor

SLIMFOLD 4260, 4060, and 4050 Finished Openings

Standard Finished Opening for 2 Panel 4260 Bypass | 4060 Bypass Sliding Closet Door



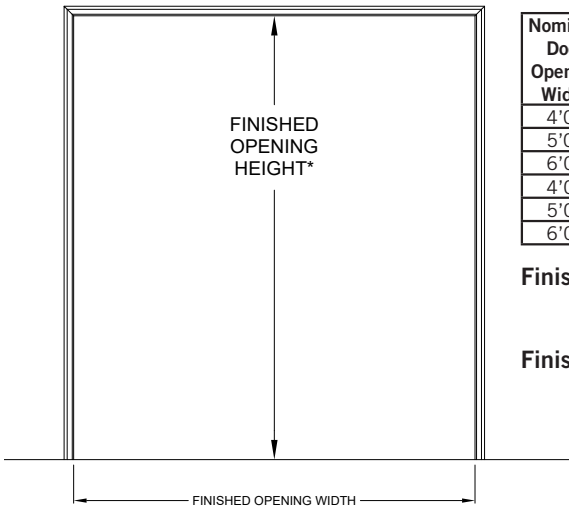
Nomimal Door Opening Width	Door Panel Width	Number of Panels	Actual Finished Opening Width	Door Height	Opening Height
4'0"	24-1/8"	2	48"	6'8"	80-1/2"
5'0"	30-1/8"	2	60"	6'8"	80-1/2"
6'0"	36-1/8"	2	72"	6'8"	80-1/2"
8'0"	48-1/8"	2	96"	6'8"	80-1/2"
9'0"	36-1/8"	3	108"	6'8"	80-1/2"
12'0"	48-1/8"	3	144"	6'8"	80-1/2"
4'0"	24-1/8"	2	48"	7'0"	84"
5'0"	30-1/8"	2	60"	7'0"	84"
6'0"	36-1/8"	2	72"	7'0"	84"
8'0"	48-1/8"	2	96"	7'0"	84"
9'0"	36-1/8"	3	108"	7'0"	84"
12'0"	48-1/8"	3	144"	7'0"	84"
4'0"	24-1/8"	2	48"	8'0"	96"
5'0"	30-1/8"	2	60"	8'0"	96"
6'0"	36-1/8"	2	72"	8'0"	96"
8'0"	48-1/8"	2	96"	8'0"	96"
9'0"	36-1/8"	3	108"	8'0"	96"
12'0"	48-1/8"	3	144"	8'0"	96"

Finished Opening Width Tolerance:
+0"/1"

Finished Opening Height Tolerance:
+1"/1/2"

A typical opening for a mirror door is completely finished. Drywall is installed on both sides prior to door installation.
4mm mirror glass is required on unit with a height greater than 7'.

Standard Finished Opening for 2 Panel 4050 Bypass Sliding Top Hung Closet



Nomimal Door Opening Width	Door Panel Width	Number of Panels	Actual Finished Opening Width	Nominal Door Height	Opening Height
4'0"	24-1/8"	2	48"	6'8"	80-1/2"
5'0"	30-1/8"	2	60"	6'8"	80-1/2"
6'0"	36-1/8"	2	72"	6'8"	80-1/2"
4'0"	24-1/8"	2	48"	7'0"	84"
5'0"	30-1/8"	2	60"	7'0"	84"
6'0"	36-1/8"	2	72"	7'0"	84"

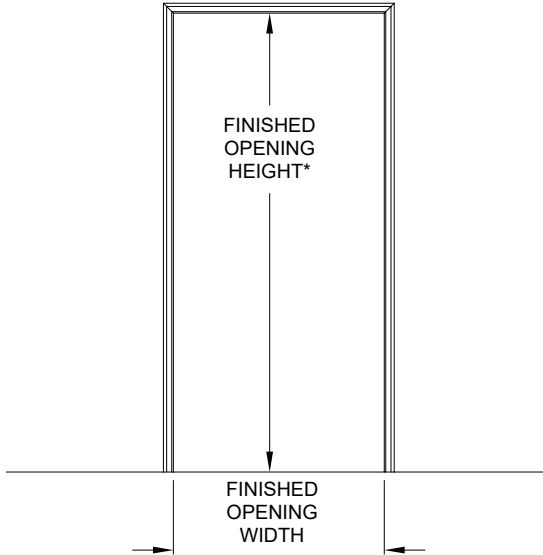
Finished Opening Width Tolerance:
+0"/1"

Finished Opening Height Tolerance:
+1"/-2"

A typical opening for a bypass mirror door is completely finished. Drywall is installed on both sides prior to door installation.
7' height requires 4mm glass.

SLIMFOLD Steel Bifold Finished Opening

Standard Finished Opening for 2 Panel Unit Steel BiFold Doors

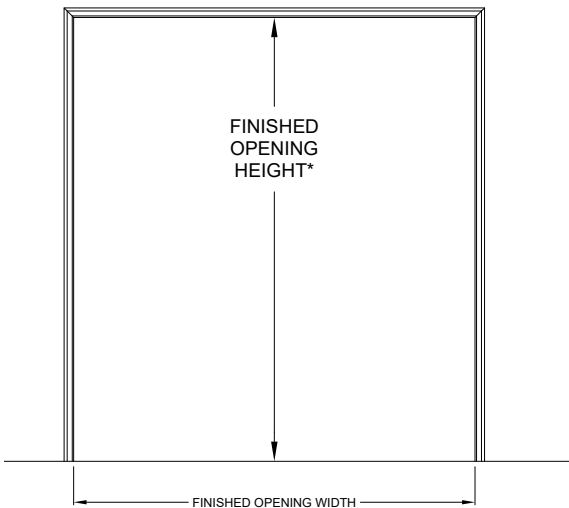


Door Width	Opening Width	Door Height	Opening Height
1'6"	18"	6'8"	80-1/2"
1'9"	21"	6'8"	80-1/2"
2'0"	24"	6'8"	80-1/2"
2'3"	27"	6'8"	80-1/2"
2'4"	28"	6'8"	80-1/2"
2'6"	30"	6'8"	80-1/2"
2'8"	32"	6'8"	80-1/2"
2'9"	33"	6'8"	80-1/2"
2'10"	34"	6'8"	80-1/2"
3'0"	36"	6'8"	80-1/2"
1'6"	1'6"	7'6"	90"
1'9"	1'9"	7'6"	90"
2'0"	2'0"	7'6"	90"
2'3"	2'3"	7'6"	90"
2'4"	2'4"	7'6"	90"
2'6"	2'6"	7'6"	90"
2'8"	2'8"	7'6"	90"
2'9"	2'9"	7'6"	90"
2'10"	2'10"	7'6"	90"
3'0"	3'0"	7'6"	90"
1'6"	1'6"	8'0"	96"
1'9"	1'9"	8'0"	96"
2'0"	2'0"	8'0"	96"
2'3"	2'3"	8'0"	96"
2'4"	2'4"	8'0"	96"
2'6"	2'6"	8'0"	96"
2'8"	2'8"	8'0"	96"
2'9"	2'9"	8'0"	96"
2'10"	2'10"	8'0"	96"
3'0"	3'0"	8'0"	96"

Finished Opening Width Tolerance:
+1/4" - 0

A typical opening for a bifold door is completely finished. Drywall is installed on both sides prior to bifold door installation.

Standard Finished Opening for 4 Panel Unit Steel BiFold Doors



Door Width	Opening Width	Door Height	Opening Height
3'0"	36"	6'8"	80-1/2"
3'6"	42"	6'8"	80-1/2"
4'0"	48"	6'8"	80-1/2"
4'6"	54"	6'8"	80-1/2"
4'8"	56"	6'8"	80-1/2"
5'0"	60"	6'8"	80-1/2"
5'6"	66"	6'8"	80-1/2"
6'0"	72"	6'8"	80-1/2"
3'0"	36"	7'6"	90"
3'6"	42"	7'6"	90"
4'0"	48"	7'6"	90"
4'6"	54"	7'6"	90"
4'8"	56"	7'6"	90"
5'0"	60"	7'6"	90"
5'6"	66"	7'6"	90"
6'0"	72"	7'6"	90"
3'0"	36"	8'0"	96"
3'6"	42"	8'0"	96"
4'0"	48"	8'0"	96"
4'6"	54"	8'0"	96"
4'8"	56"	8'0"	96"
5'0"	60"	8'0"	96"
5'6"	66"	8'0"	96"
6'0"	72"	8'0"	96"

Finished Opening Width Tolerance:
+1/4" - 0

A typical opening for a bifold door is completely finished. Drywall is installed on both sides prior to bifold door installation.



**DUNBARTON
CORPORATION**

1101 Technology Drive | Dothan, Alabama 36303
800.633.7553 | 334.794.9184 fax
www.dunbarton.com | sales@dunbarton.com