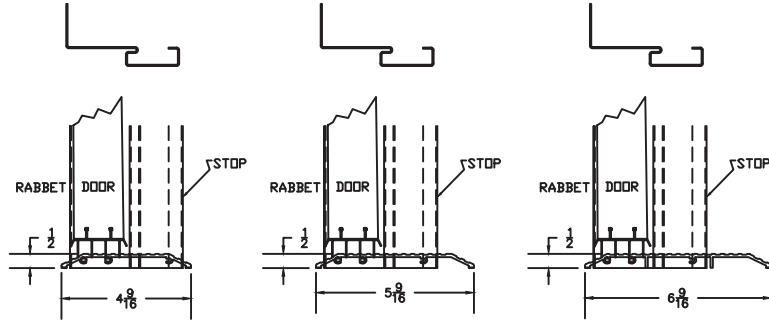
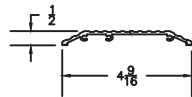


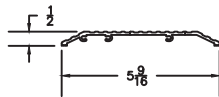
# Dunbarton ADA Saddle Sills



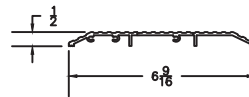
ALWAYS NOTCH SILL FROM THIS SIDE



4-9/16" ADA  
SADDLE SILL

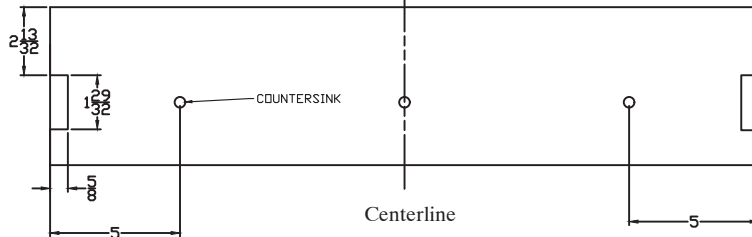


5-9/16" ADA  
SADDLE SILL

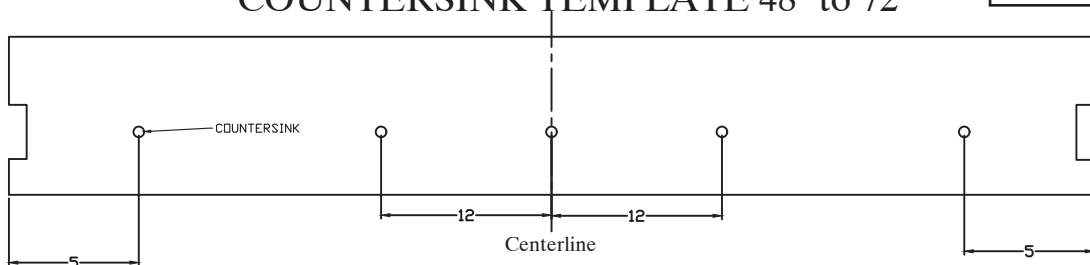


6-9/16" ADA  
SADDLE SILL

## COUNTERSINK TEMPLATE 24" to 48"

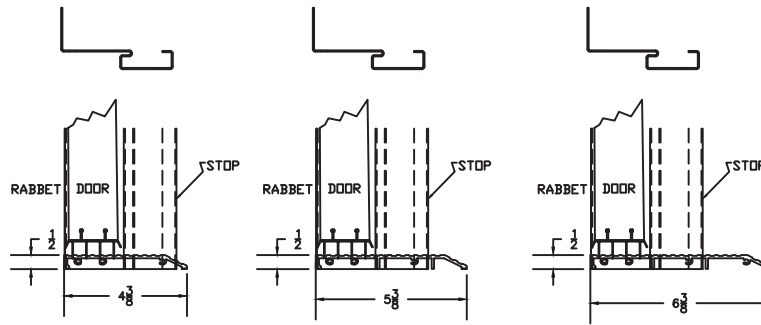


## COUNTERSINK TEMPLATE 48" to 72"

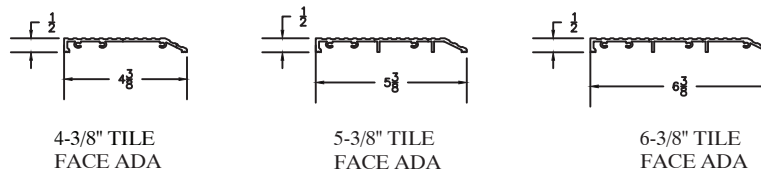


**Material & Finish:**  
6063-T6 Aluminum  
Mill Finish

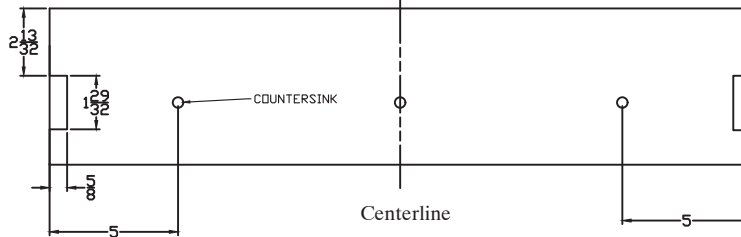
# Dunbarton Tile Face ADA Sills



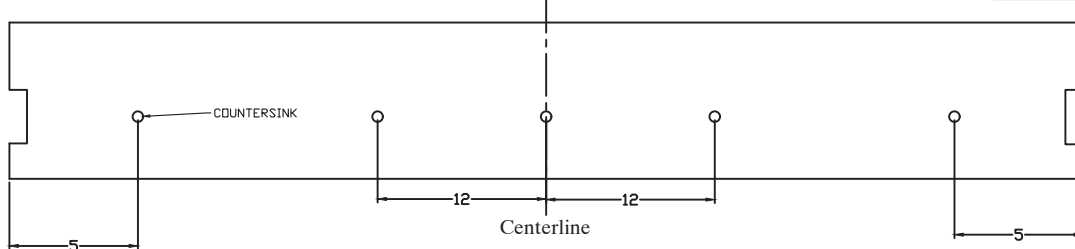
ALWAYS NOTCH SILL FROM THIS SIDE



## COUNTERSINK TEMPLATE 24" to 48"

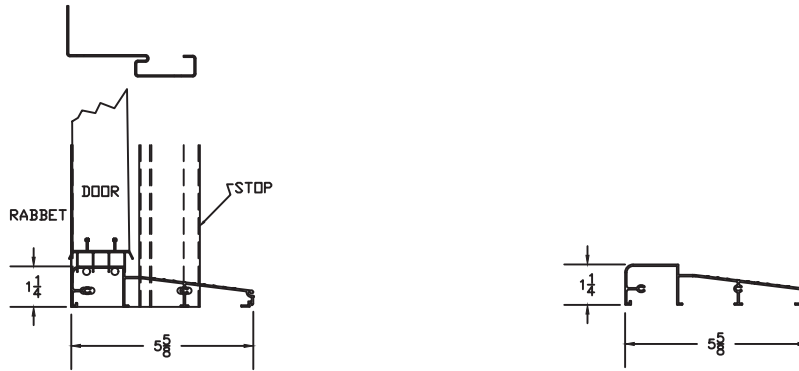


## COUNTERSINK TEMPLATE 48" to 72"

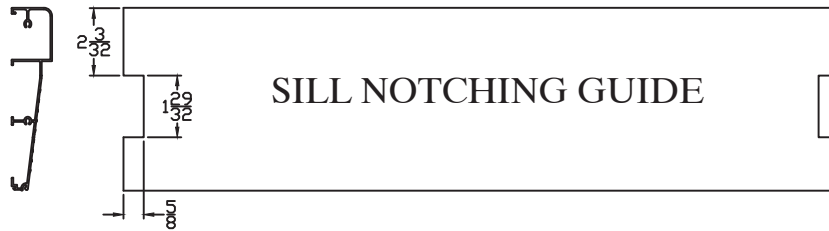


**Material & Finish:**  
6063-T6 Aluminum  
Mill Finish

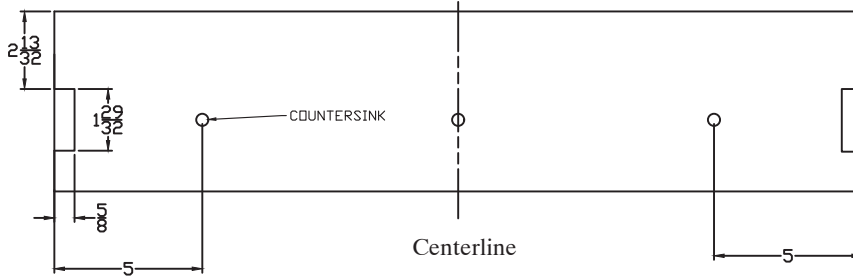
# Dunbarton Fixed Inswing Sill



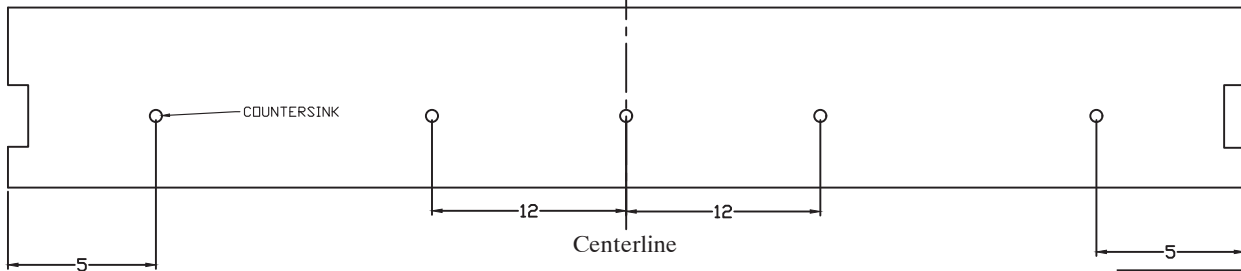
ALWAYS NOTCH SILL FROM THIS SIDE



## COUNTERSINK TEMPLATE 24" to 48"

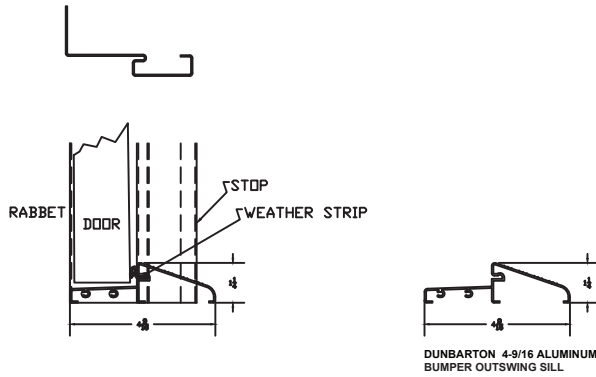


## COUNTERSINK TEMPLATE 48" to 72"

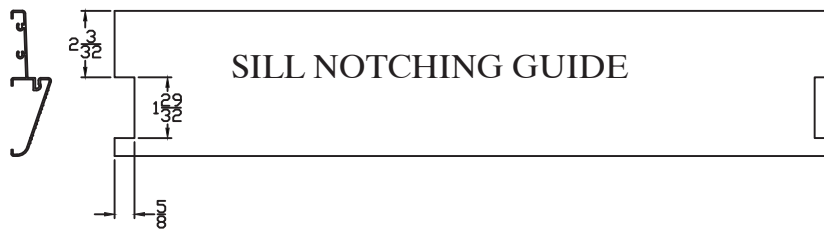


**Material & Finish:**  
6063-T6 Aluminum  
Mill Finish

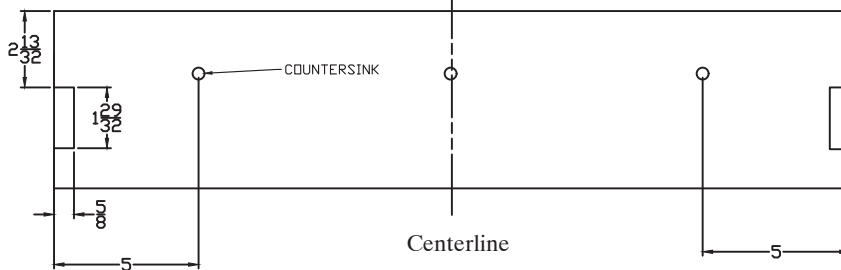
# Dunbarton Bumper Outswing Sills



ALWAYS NOTCH SILL FROM THIS SIDE

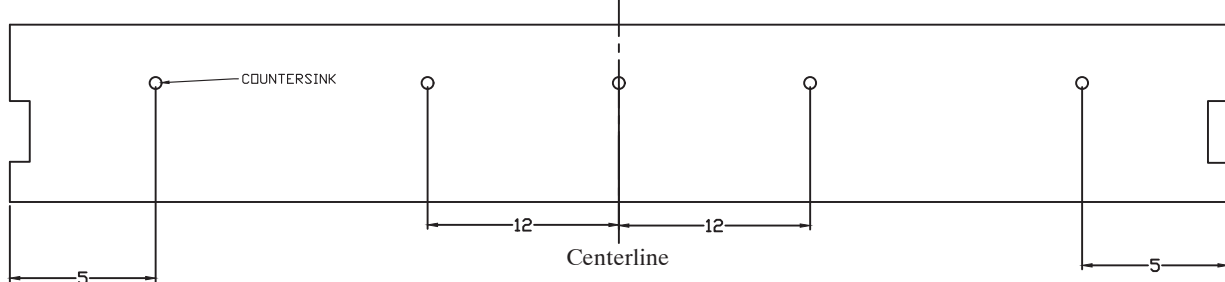


## COUNTERSINK TEMPLATE 24" to 48"

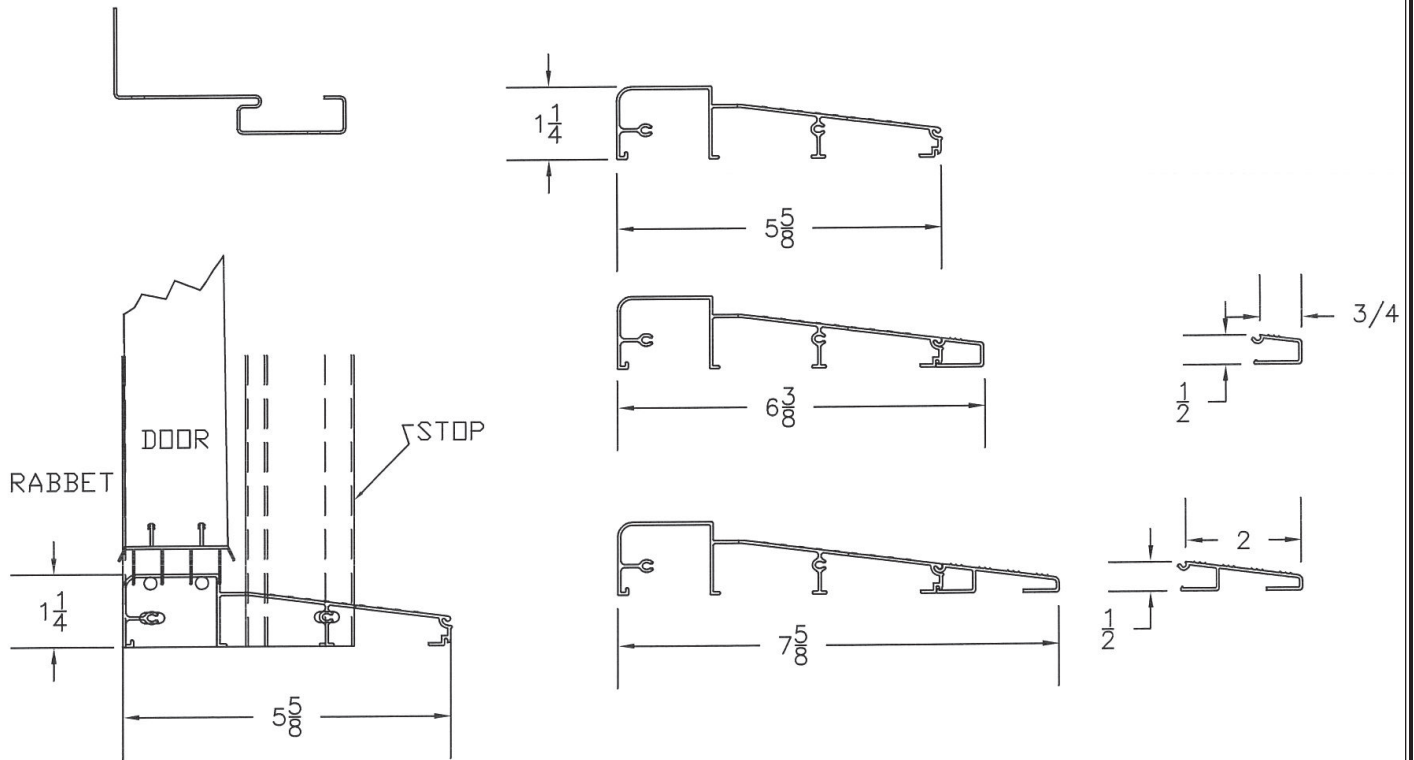


**Material & Finish:**  
6063-T6 Aluminum  
Mill Finish

## COUNTERSINK TEMPLATE 48" to 72"



# Dunbarton Sill Extender



**Material & Finish:**  
6063-T6 Aluminum  
Mill Finish