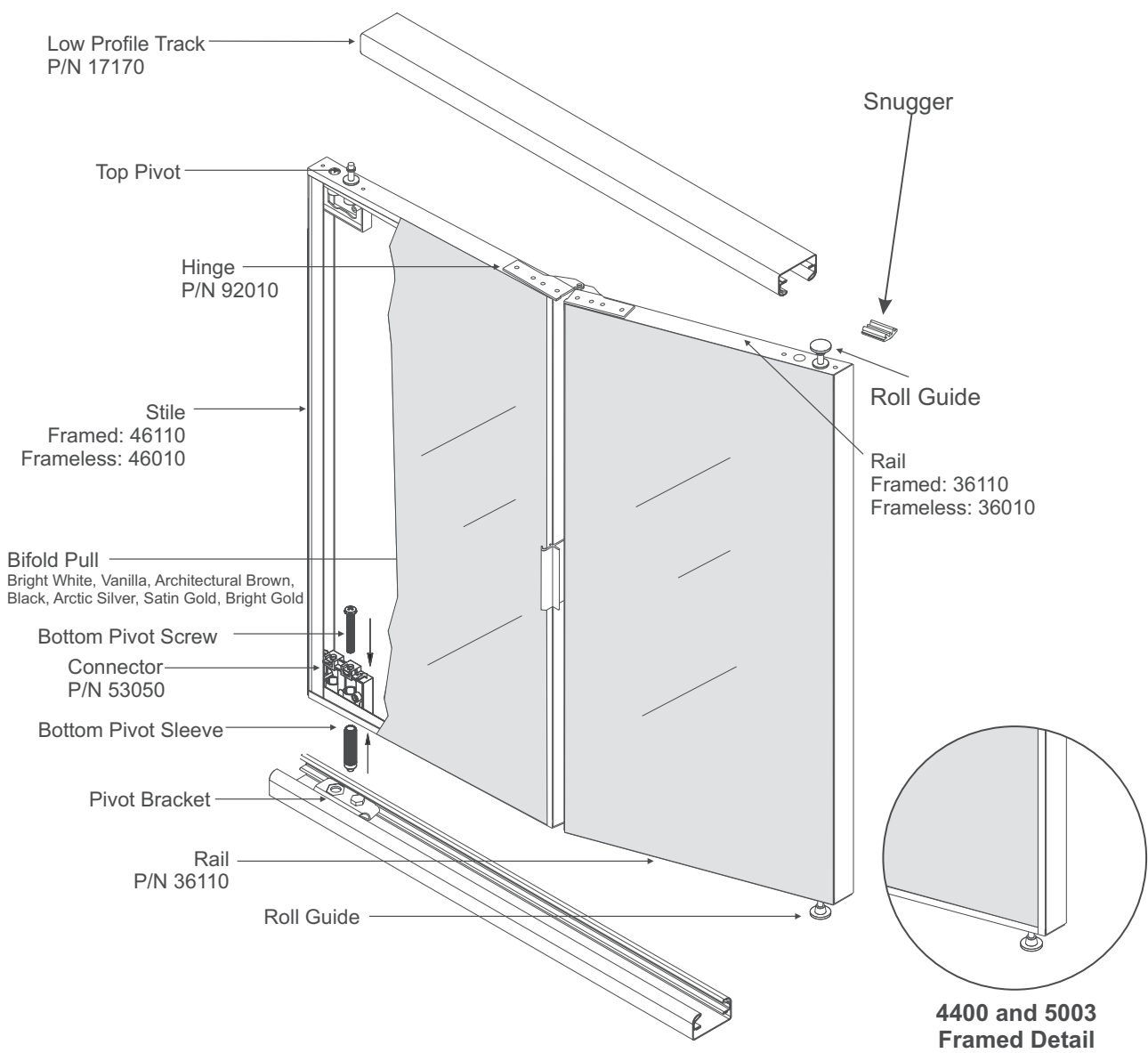




SLIMFOLD®

4400 Series: Framed Steel Bifold
4900 Series: Frameless Steel Bifold
5003 Series: Framed Aluminum Bifold



INSTALLATION QUESTIONS OR MISSING PARTS? DO NOT RETURN THIS DOOR TO THE STORE

Thank you for purchasing this Slimfold® product. We take pride in the products we manufacture and are confident you will be pleased with your selection. However, sometimes a product may leave our factory in less than perfect condition. If you have questions or are missing component parts necessary to complete the installation, **do not return the door to the place of purchase.** Give us a call first. More than likely, we can solve the problem without the hassle and expense of returning the door to the store. **Call Customer Service:** 1-800-633-7553 from 8:00 a.m. to 5:00 p.m. CST, Monday through Friday.

PARTS SCHEDULE

- Track Hardware Bag PN 17170 (Installed in Track)
- Snugger (2 per set, 1 per hand)
- Roll Guide (2 per set, 1 per hand)
- Pivot Bracket (2 per set, 1 per hand)
- Hardware Bag PN 88760**
- Bifold Pull (1), Spring Pivot (3), Bottom Pivot (1), 1-1/2"(38) Track Screw (5), Instruction Sheet (1)

1101 Technology Drive | Dothan, Alabama 36303

800.633.7553 | 334.794.9184 (fax)

www.dunbarton.com | sales@dunbarton.com

BEFORE YOU BEGIN

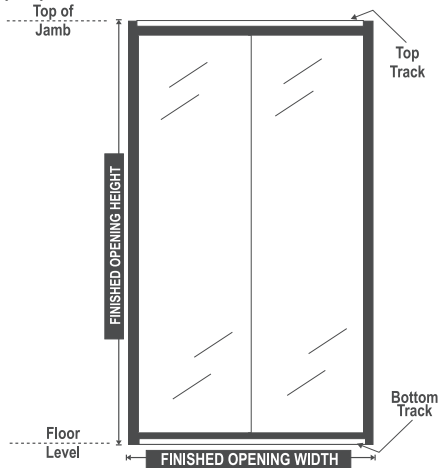
PLEASE FOLLOW ALL INSTRUCTIONS AND ALWAYS USE PROTECTIVE EYEWEAR WHEN INSTALLING A DOOR SYSTEM. PLEASE READ INSTRUCTIONS COMPLETELY.

Assemble Tools

Safety Glasses Level
Phillips head screwdriver Tape Measure
Straight edge screwdriver Power drill or screw gun
3/16"(5) drill bit

Measure Opening

Measure the finished opening size; refer to specifications below to insure proper door size.



HEIGHT: These bifold doors are sized to fit standard opening sizes. They will operate properly, however, where height is 7/16"(11) over or 5/16"(8) under the nominal height.

WIDTH: Doors are sized for standard openings. The opening may be up to 1/4"(6) over for two doors and 1/2"(13) over for four doors.

MIRROR: 3mm float plate glass mirror, safety backed to conform with Uniform Building Code Standard 23-2, Part II. Safety mirror 400 lb. ft. Impact test ANSI Z-97.1 1984 boil and impact test. 4mm float plate glass mirror for heights greater than 7'0"(2134).

Specifications

STANDARD SIZES—TWO PANEL UNITS

Size	Door Width	FINISHED OPNG HEIGHTS		
		FINISHED OPENING WIDTH	6'8" Units	8'0" Units
2'0" (610)	23-1/2" (597)	24" (610)	80-1/2" (2045)	96" (2438)
2'6" (762)	29-1/2" (749)	30" (762)		
3'0" (914)	35-1/2" (902)	36" (914)		

STANDARD SIZES—FOUR PANEL UNITS

Size	Door Width	FINISHED OPNG HEIGHTS		
		FINISHED OPENING WIDTH	6'8" Units	8'0" Units
4'0" (1219)	47" (1194)	48" (1219)	80-1/2" (2045)	96" (2438)
5'0" (1524)	59" (1499)	60" (1524)		
6'0" (1829)	71" (1803)	72" (1829)		

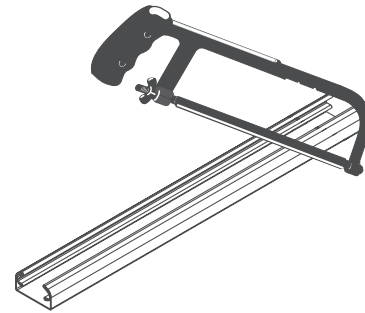
Finished Opening Width Tolerance +1/4"/-0 (+6/-0)

All increments shown in (parenthesis) are metric (millimeter) unless otherwise indicated. Non-standard sizes available; check with your dealer for sizes and availability.

INSTALLATION

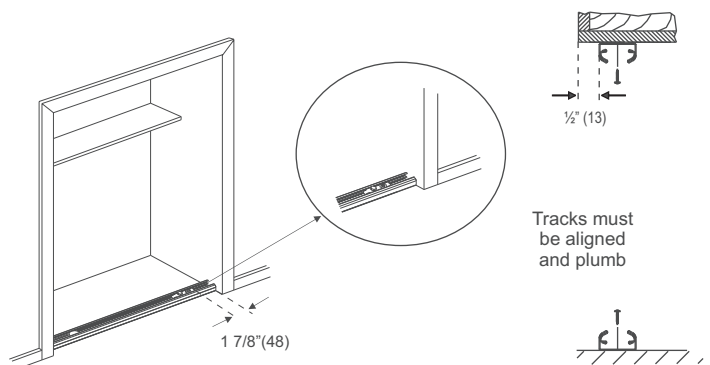
1. Trim Tracks to Fit Opening

Using a fine tooth hacksaw, cut the top and bottom tracks 1/16"(2) less than the width of the opening if they do not fit.



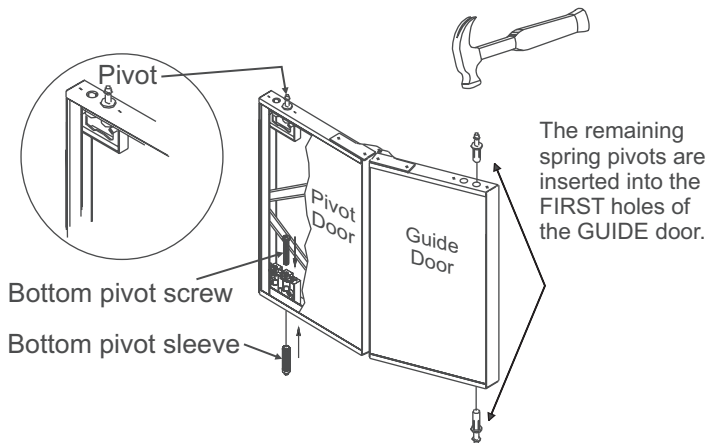
2. Install Top and Bottom Tracks

Screw tracks in at a minimum of 1 1/2"(13) in from the jamb face. This will ensure that the door does not protrude from the opening when it is closed. Be sure that the pivot brackets [1 7/8"(48) from the wall] and roll guide have been installed in the tracks prior to installation.



3. Insert Pivots

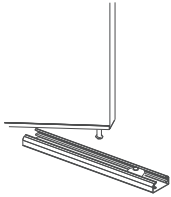
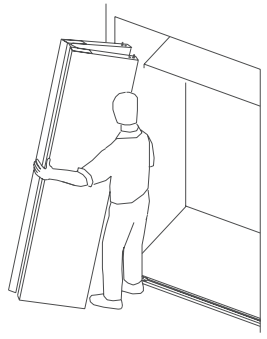
A pivot is inserted into the SECOND hole at the top of the PIVOT edge of the door. The bottom pivot sleeve is used for the height adjustment and must be inserted into the SECOND hole at the bottom of the PIVOT door. Insert pivot screw through the connector in second hole directly above bottom pivot sleeve. Adjust for desired height.



4. Install Doors

Insert the spring pivot on the top of the pivot door into the pivot bracket. Then place the bottom pivot into the bracket of the bottom track.

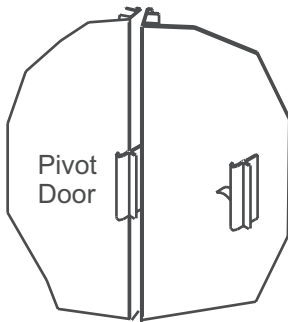
Note:
For heavier doors you may prefer to insert the bottom pivot first.



Close the door so that it is slightly ajar. Then depress the pivots in the guide door and snap the pins into the top and bottom roll guides.

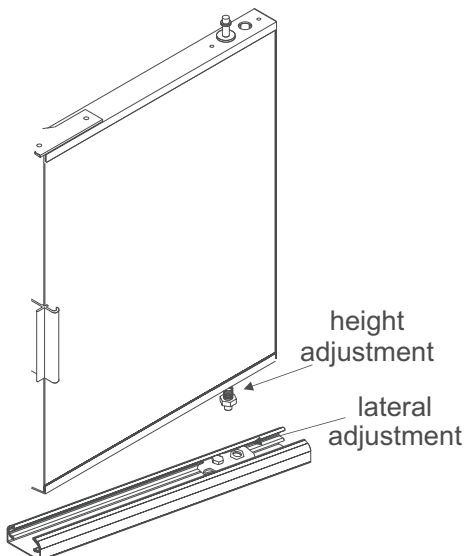
5. Attach Pull

Remove the plastic film from the stiles. If necessary, clean the stile with isopropyl rubbing alcohol (99%) where the pull is to be attached. Using double sided tape, attach the pull to the pivot door at the desired height [approximately 40"(1016)].



6. Final Adjustments

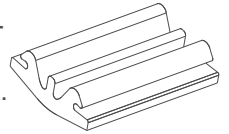
Both the top and bottom pivot brackets can be adjusted laterally. Height adjustment is achieved by lifting the door slightly and turning the bottom pivot.



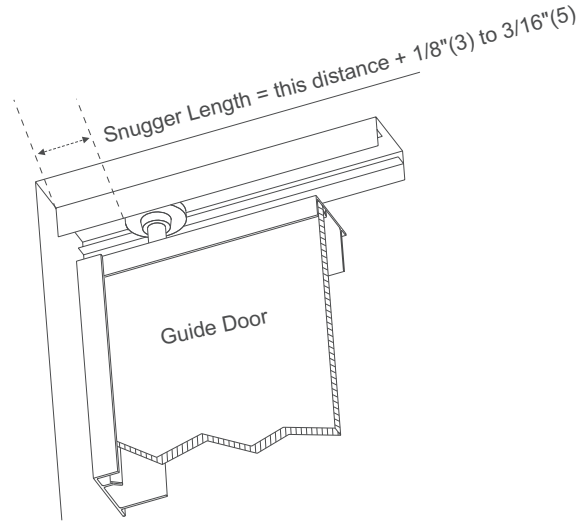
7. Cut Snigger to Fit Opening

For 1 Door

With scissors or a knife, cut the snigger to the length indicated on the diagram, then snap the snigger into the top track.



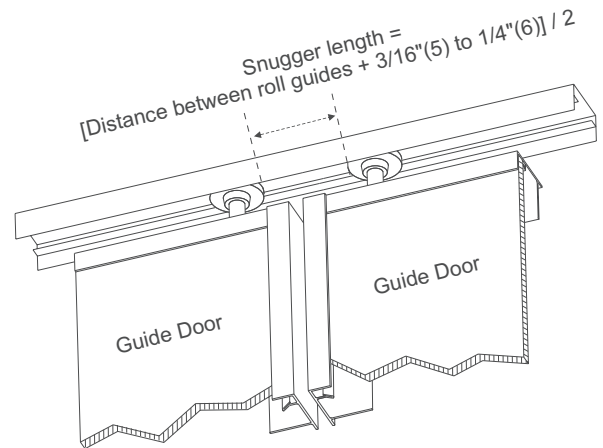
Note: The door will close with a light snap.



For 2 Doors

With scissors or a knife, cut the two sniggers the same length (see formula above) as per the diagram, then snap the sniggers into the top tracks.

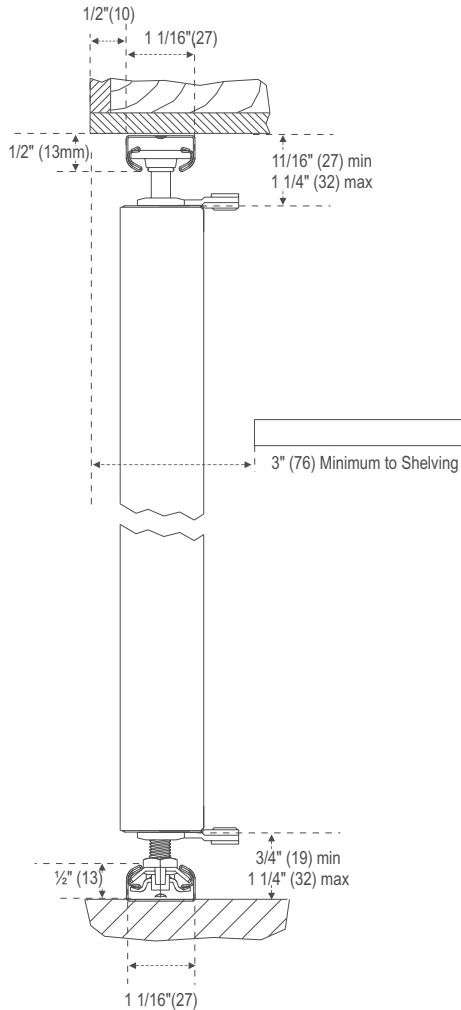
Note: The door will close with a light snap.



8. Remove Protective Film from Mirror Frame

Frames around the glass are covered for protection with a protective film, which must be removed before use. Remove film by hand **after doors are installed and adjusted**. Do not use sharp tools as this may scratch frame surface. Film presence may be indicated with blue markings for easy identification.

Cross-Sectional Layout of Installed Doors



SLIMFOLD® PRODUCTS LIMITED LIFETIME WARRANTY

Slimfold® Products Division warrants to the purchaser that its products, when utilized for interior door use, will be free from defects in materials and workmanship for the life of the product. Slimfold® products manufactured with galvanized steel are additionally warranted against rusting for a period of one (1) year from the date of purchase, provided the finish has not been cut or abraded through the metal. Galvanized steel should be used where air has a high salt content or in locations with high humidity.

This warranty is applicable only when the products covered by it have been installed in accordance with the recommended written installation instructions of Slimfold® Products Division and with established building practices, have been accorded treatment which is considered good practice in the building industry regarding storage and maintenance, and have been subjected only to normal use. Because Slimfold® Products Division cannot control the manner in which its products are handled after leaving its premises, this warranty does not apply to the finish or other damage occurring during shipment.

There are no warranties, express or implied, which extend beyond the description on the face hereof, including the implied warranty of merchantability and the implied warranty of fitness for a particular purpose.

Some states do not allow limitations on how long an implied warranty lasts, so the above limitation may not apply in some cases.

In the event the original consumer purchaser of any Slimfold® product believes that the door or any parts thereof covered by this warranty is defective, a letter outlining the alleged defect should be sent postage prepaid to the following address:

**Slimfold® Products Division
PO Box 8577
Dothan, AL 36304-0577**

Any Slimfold® products part covered by this warranty which, upon inspection by an authorized representative of Slimfold® Products Division, are found by said representative to be defective, will be repaired or replaced at the option of Slimfold® Products Division. The purchase price of the part will be refunded and does not include labor, installation costs, finishing costs, or indirect or consequential damages of any nature. Some states do not allow the exclusion or limitation of incidental or consequential damages, so the above limitation or exclusion may not apply to you.

This warranty bestows certain legal rights, and you may also have other rights which vary from state to state.

CARING FOR YOUR SLIMFOLD® DOOR KEEP TRACK FREE OF DIRT AND PAINT

Steel Bifolds

Clean steel surface with a soft cloth using a mild detergent and water. Do not use harsh cleaners or abrasive.

Mirrors

- Clean mirror surface with clean, warm water or approved glass cleaner. Do not use any acid or alkali cleaners or cleaners with ammonia base. They will attack front surface, edges and backing of glass.
- Use a clean, soft cloth when cleaning to avoid scratching mirror surface.
- Never spray any cleaner directly on to the mirror. Apply to cloth first, then wipe mirror.
- Be sure to dry all edges thoroughly.

Mirror Dimensions:

Mirror Width =

[Opening width / 2] - 3/8"(10) - 2 panel door

[Opening width / 4] - 3/8"(10) - 4 panel door

Mirror Length =

Opening height - 2"(51)

Mirror Thickness =

Heights up to 7'0"(2134) - 3mm mirror thickness

Heights over 7'0"(2134) - 4mm mirror thickness

Note: All mirror must be used with safety backing conforming to local building code standards. Safety backing must reach the mirror edges. Mirror edges should be polished to prevent crack propagation after cutting.

1101 Technology Drive | Dothan, Alabama 36303

800.633.7553 | 334.794.9184 (fax)

www.dunbarton.com | sales@dunbarton.com

P/N 82800280 SF 420 Rev. 04.2015