

**Model 4040**

## Steel Framed Sliding Woodgrain Door with Top Roller



- 6-Panel look in a sliding closet door
- Top hung single wheel rollers for smooth and quiet operation
- Snap-in bottom guides are virtually jump proof
- Easy to adjust for out-of-square openings
- Low rise bottom track for minimal floor obstruction
- **Track:** Top and bottom track prefinished to match door
- **Stiles/Rails:** Bright White
- Limited lifetime warranty

# Model 4040 Steel Framed Sliding Woodgrain Door with Top Roller

## WOODGRAIN DOOR SPECIFICATIONS

Provide Model 4040 sliding woodgrain wardrobe doors manufactured by Slimfold Corporation, Dothan, AL in the dimensions shown on the drawings and with the following attributes:

### ARRANGEMENT

- Sliding woodgrain doors shall consist of framed panels supported by single wheel top hangers and bottom guides that travel in top and bottom tracks respectively.
- The top track shall be steel with a prefinished steel fascia as an integral part of the track.
- The bottom track shall be prefinished steel and shall not exceed 5/16" (8mm) in height for minimum floor obstruction.
- The top hangers shall have acetal wheels and provide 1-1/2" (38mm) vertical adjustment.
- The floating nylon guides shall lock into floor track & automatically compensate for floors up to 3/4" (19mm) out of level.

### FRAME

- The frame shall consist of prefinished roll formed steel stiles and rails joined at each corner by positively retained, removable, unhandled connector assemblies that snap in place and contain top hangers and bottom guides.
- The 7/8" wide stiles shall function as integral full length pulls.

### PANELS

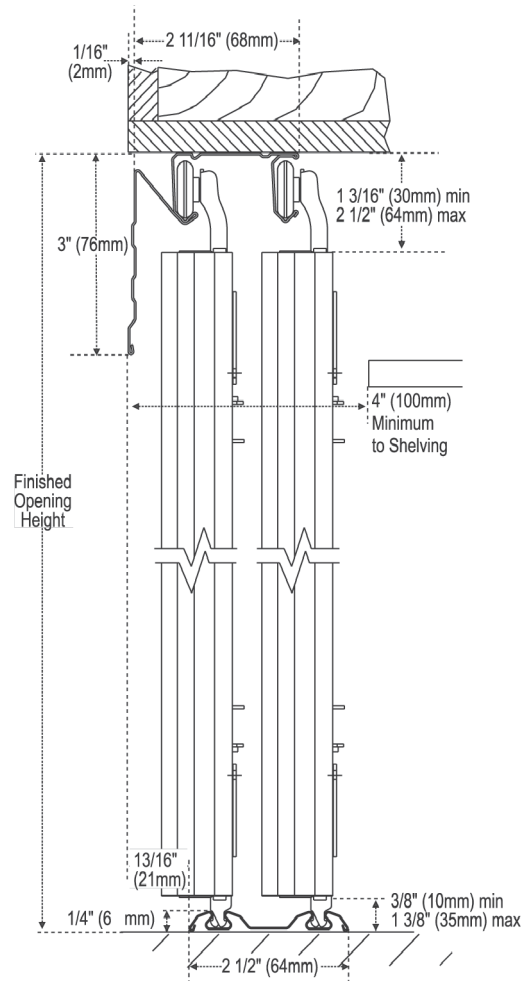
- Panels are MDF fiberboard material with embossed 6-panel face.

### FINISHES

Bright White

No. Panels	Size	Door Width	Finished Opening Width
2	4'0"	24-5/8"	48"
2	5'0"	30-5/8"	60"
2	6'0"	36-5/8"	72"

**Required Finished Opening Heights:  
6'8" (80-1/2") (2045mm)**  
**Finished Opening Width Tolerance +1"-2"  
(+25.4mm/-76.2mm)**



1101 Technology Drive | Dothan, Alabama 36303  
800.633.7553 | 334.794.9184 (fax)  
www.dunbarton.com | sales@dunbarton.com