



STANDARD WOOD DOOR HARDWARE PREPS

| RFS # | HEIGHT | | | | HINGE PREP | STRIKE PREP* | DOOR THICKNESS |
|-------|--------|------|------|-------|-------------------|-------------------|--------------------|
| 1 | 6'8" | 6'9" | 7'0" | | 1 pair 3 1/2" | 2 3/4" "T" | 1 3/8" Single Door |
| 2 | 6'8" | 6'9" | 7'0" | | 1 pair 3 1/2" | none | 1 3/8" Single Door |
| 3 | 6'8" | 6'9" | 7'0" | | 1 1/2 pair 3 1/2" | 2 3/4" "T" | 1 3/8" Single Door |
| 4 | 6'8" | 6'9" | 7'0" | | 1 1/2 pair 3 1/2" | none | 1 3/8" Single Door |
| 5 | 6'8" | 6'9" | 7'0" | | 1 1/2 pair 4" | ASA or 2 3/4" "T" | 1 3/4" Single Door |
| 6 | 6'8" | 6'9" | 7'0" | | 1 1/2 pair 4" | none | 1 3/4" Single Door |
| 7 | 6'8" | 6'9" | 7'0" | | 2 pair 3 1/2" | n/a | 1 3/8" Pair Door |
| 8 | 6'8" | 6'9" | 7'0" | | 3 pair 3 1/2" | n/a | 1 3/8" Pair Door |
| 9 | 6'8" | 6'9" | 7'0" | | 3 pair 4" | n/a | 1 3/4" Pair Door |
| 17 | 7'10" | 8'0" | 8'4" | 8'10" | 2 pair 3 1/2" | 2 3/4" "T" | 1 3/8" Single Door |
| 19 | 7'10" | 8'0" | 8'4" | 8'10" | 2 pair 4" | ASA or 2 3/4" "T" | 1 3/4" Single Door |
| 21 | 7'10" | 8'0" | 8'4" | 8'10" | 4 pair 3 1/2" | n/a | 1 3/8" Pair Door |
| 22 | 7'10" | 8'0" | 8'4" | 8'10" | 4 pair 4" | n/a | 1 3/4" Pair Door |
| 31 | 6'8" | 6'9" | 7'0" | | 1 1/2 pair 4 1/2" | ASA or 2 3/4" "T" | 1 3/4" Single Door |
| 32 | 6'8" | 6'9" | 7'0" | | 1 1/2 pair 4 1/2" | none | 1 3/4" Single Door |
| 33 | 6'8" | 6'9" | 7'0" | | 3 pair 4 1/2" | n/a | 1 3/4" Pair Door |
| 35 | 7'10" | 8'0" | 8'4" | 8'10" | 2 pair 4 1/2" | ASA or 2 3/4" "T" | 1 3/4" Single Door |
| 36 | 7'10" | 8'0" | 8'4" | 8'10" | 2 pair 4 1/2" | none | 1 3/4" Single Door |
| 37 | 7'10" | 8'0" | 8'4" | 8'10" | 4 pair 4 1/2" | n/a | 1 3/4" Pair Door |



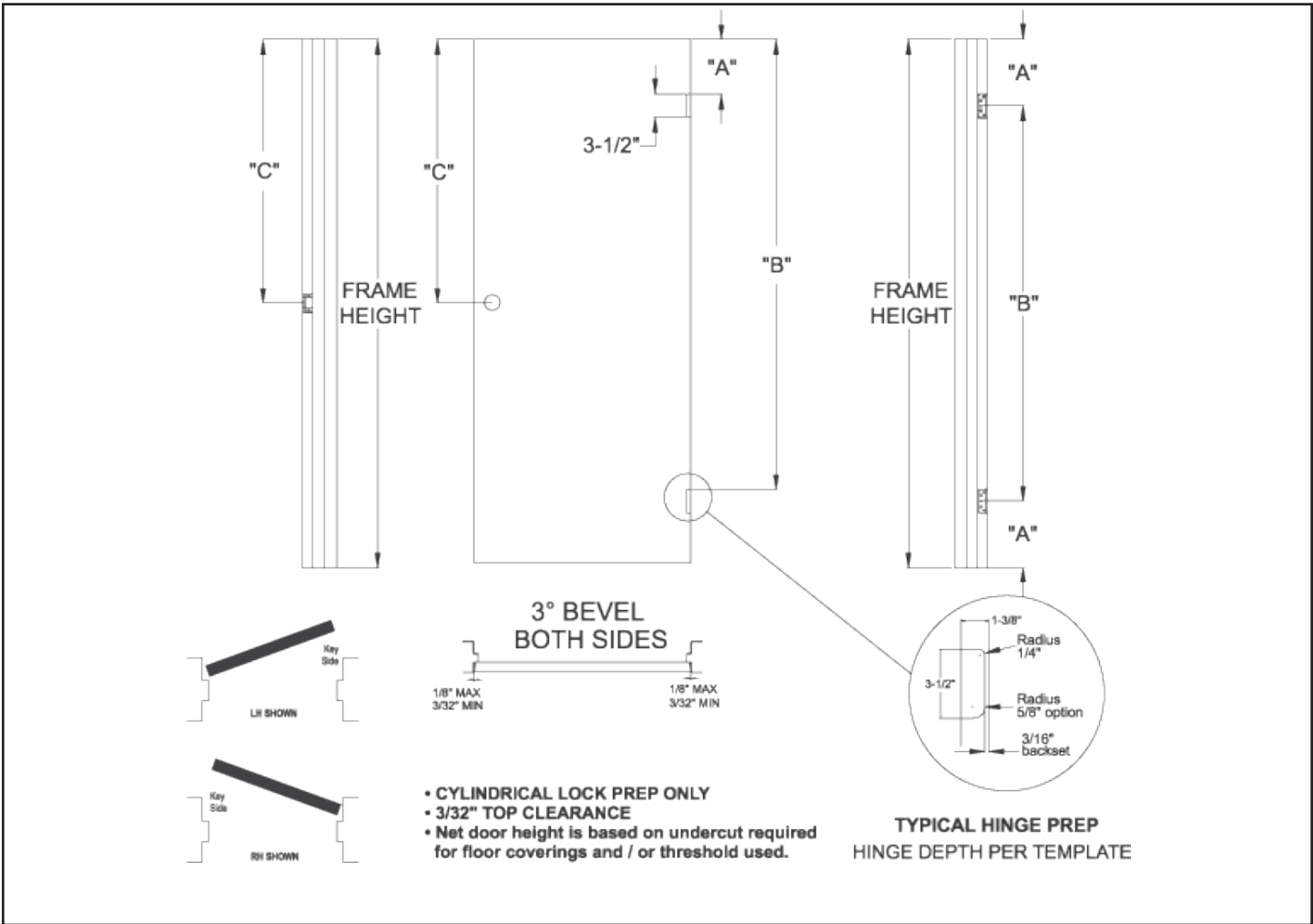


REDIFRAME[®]

*Pre-Fitting Instructions
for Wood Doors*

| | |
|---|---|
| 1 | Table of Contents |
| 2 | 1-3/8" Door with 1 pair 3-1/2" Hinges |
| 3 | 1-3/8" Door with 1-1/2 pair 3-1/2" Hinges |
| 4 | 1-3/8" Door with 2 pair 3-1/2" Hinges |
| 5 | 1-3/4" Door with 1-1/2 pair 4" Hinges |
| 6 | 1-3/4" Door with 2 pair 4" Hinges |
| 7 | 1-3/4" Door with 1-1/2 pair 4-1/2" Hinges |
| 8 | 1-3/4" Door with 2 pair 4-1/2" Hinges |
| 9 | 1-3/4" Door with 1-1/2 pair 5" Hinges |

1 PAIR ON 3-1/2" HINGES FOR 1-3/8" DOORS (RFS 1, 2, 7)



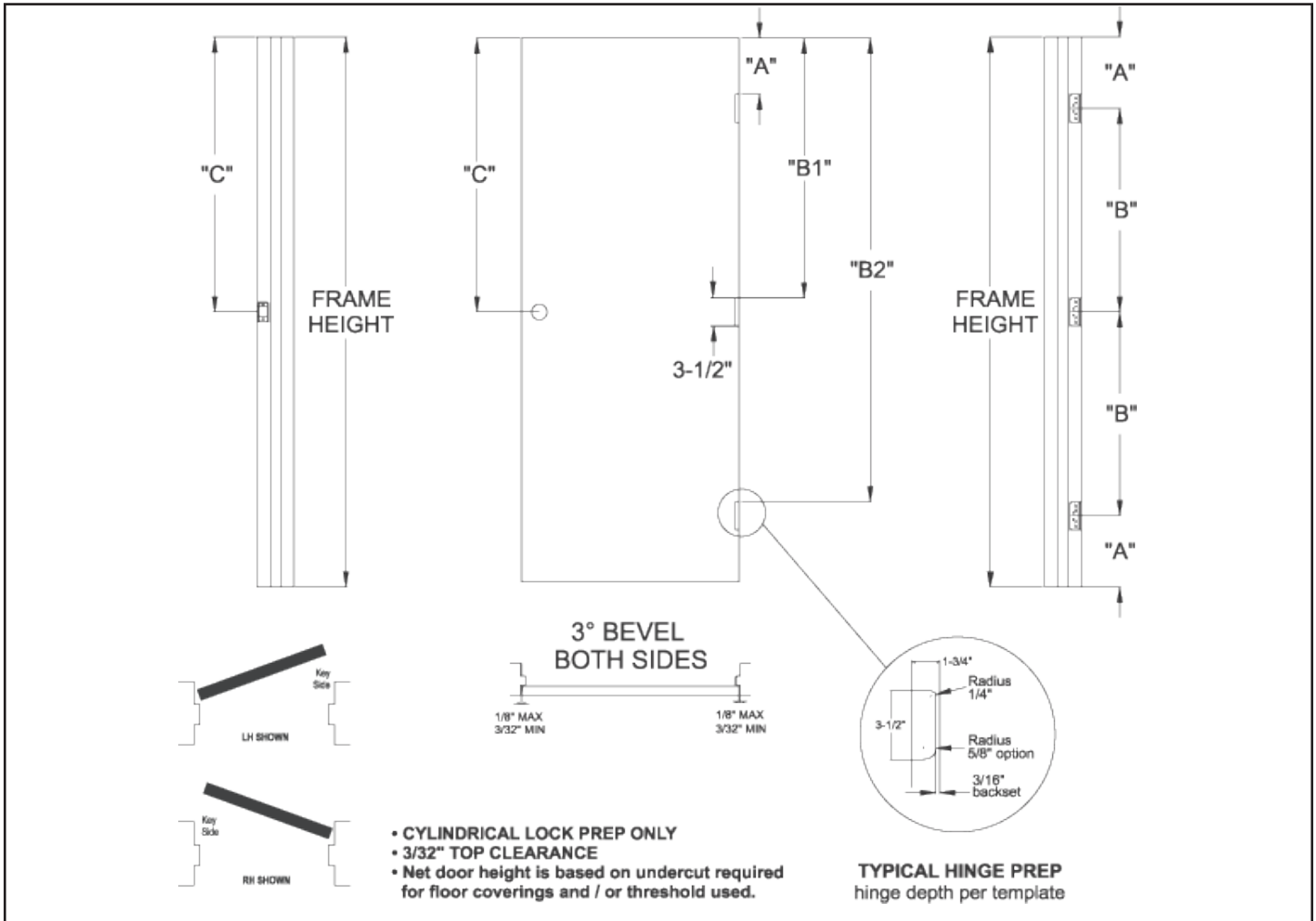
| FRAME DIMENSIONS | | | | |
|------------------|------------------|---------|-----|---------|
| NOM FRAME HT | NET FRAME HEIGHT | "A" | "B" | "C" |
| 6-9 | 81 3/16 | 10 3/32 | 61 | 41 3/32 |
| 7-0 | 84 3/16 | 10 3/32 | 64 | 44 3/32 |

| DOOR DIMENSIONS | | | |
|------------------|-------|--------|--------|
| NET FRAME HEIGHT | "A" | "B" | "C" |
| 80 3/16 | 8 1/4 | 68 1/4 | 40 |
| 81 3/16 | 8 1/4 | 69 1/4 | 41 |
| 81 3/16 | 8 1/4 | 69 1/4 | 40 1/2 |
| 84 3/16 | 8 1/4 | 72 1/4 | 44 |

Refer to form RF407 Rediframe Hinge and Strike Locations for complete frame hardware locations. Custom hardware preps and locations available. Contact Customer Service at 800-633-7553. Forms available for download at www.dunbarton.com.

PREFITTING INSTRUCTIONS FOR WOOD DOORS

1-1/2 PAIR OF 3-1/2" HINGES FOR 1-3/8" DOORS (RFS 3, 4, 8)



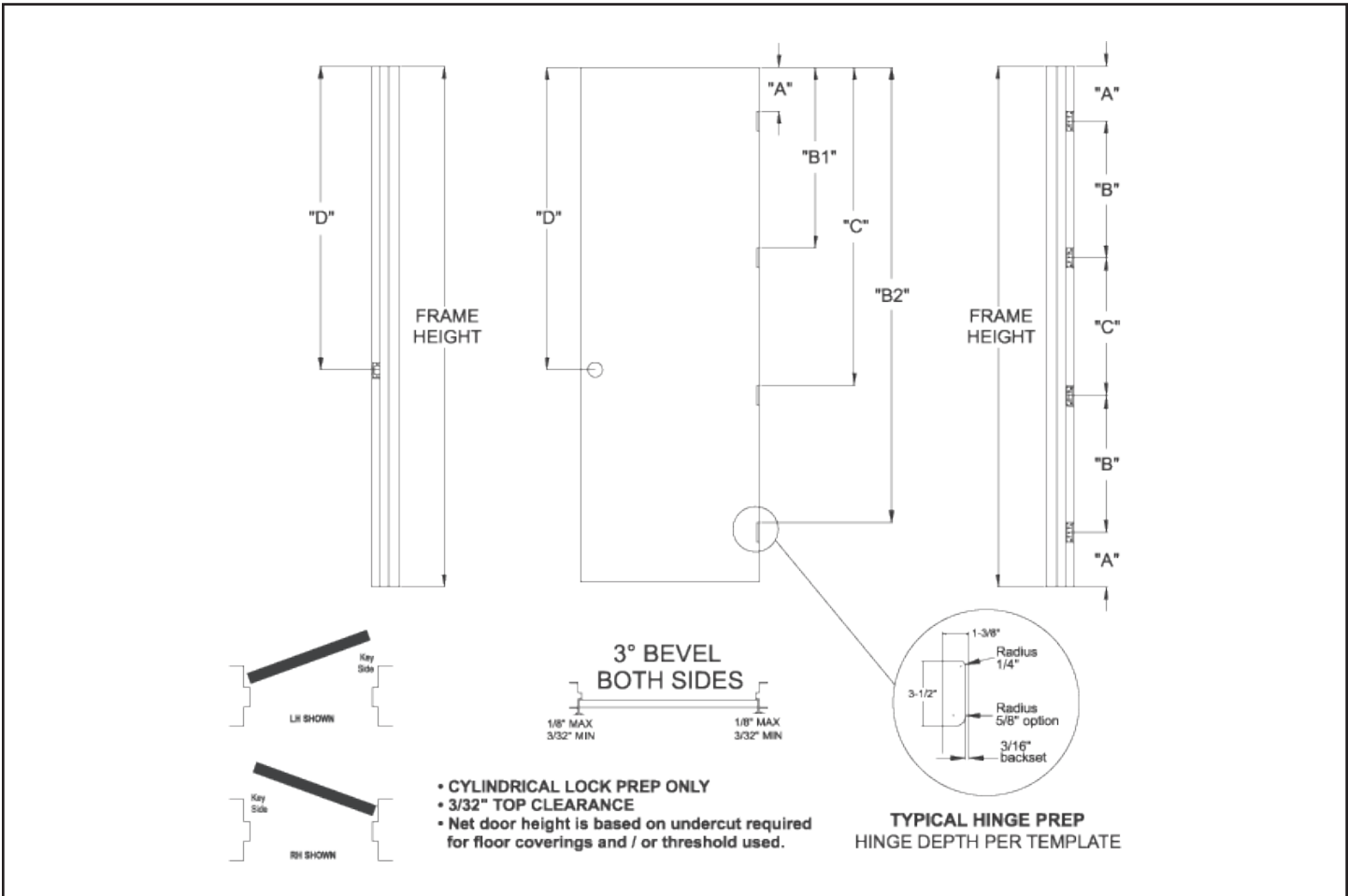
FRAME DIMENSIONS

| NOM FRAME HT | NET FRAME HEIGHT | "A" | "B" | "C" |
|--------------|------------------|---------|--------|---------|
| 5-0 | 60 3/16 | 10 3/32 | 20 | 20 3/32 |
| 5-1 | 61 3/16 | 10 3/32 | 20 1/2 | 21 3/32 |
| 5-2 | 62 3/16 | 10 3/32 | 21 | 22 3/32 |
| 5-4 | 64 3/16 | 10 3/32 | 22 | 24 3/32 |
| 6-0 | 72 3/16 | 10 3/32 | 26 | 32 3/32 |
| 6-9 | 81 3/16 | 10 3/32 | 30 1/2 | 41 3/32 |
| 7-0 | 84 3/16 | 10 3/32 | 32 | 44 3/32 |
| 7-4 | 88 3/16 | 10 3/32 | 34 | 48 3/32 |
| 7-6 | 90 3/16 | 10 3/32 | 35 | 50 3/32 |

DOOR DIMENSIONS

| NET FRAME HEIGHT | "A" | "B1" | "B2" | "C" |
|------------------|-------|--------|--------|--------|
| 60 3/16 | 8 1/4 | 28 1/4 | 48 1/4 | 20 |
| 61 3/16 | 8 1/4 | 28 3/4 | 49 1/4 | 21 |
| 62 3/16 | 8 1/4 | 29 1/4 | 50 1/4 | 22 |
| 64 3/16 | 8 1/4 | 30 1/4 | 52 1/4 | 24 |
| 72 3/16 | 8 1/4 | 34 1/4 | 60 1/4 | 32 |
| 80 3/16 | 8 1/4 | 38 1/4 | 68 1/4 | 40 |
| 81 3/16 | 8 1/4 | 38 3/4 | 69 1/4 | 41 |
| 81 3/16 | 8 1/4 | 38 3/4 | 69 1/4 | 40 1/2 |
| 84 3/16 | 8 1/4 | 40 1/4 | 72 1/4 | 44 |
| 84 3/16 | 8 1/4 | 40 1/4 | 72 1/4 | 42 |
| 88 3/16 | 8 1/4 | 42 1/4 | 76 1/4 | 48 |
| 90 3/16 | 8 1/4 | 43 1/4 | 78 1/4 | 50 |

2 PAIR OF 3-1/2" HINGES FOR 1-3/8" DOORS (RFS 17, 21)

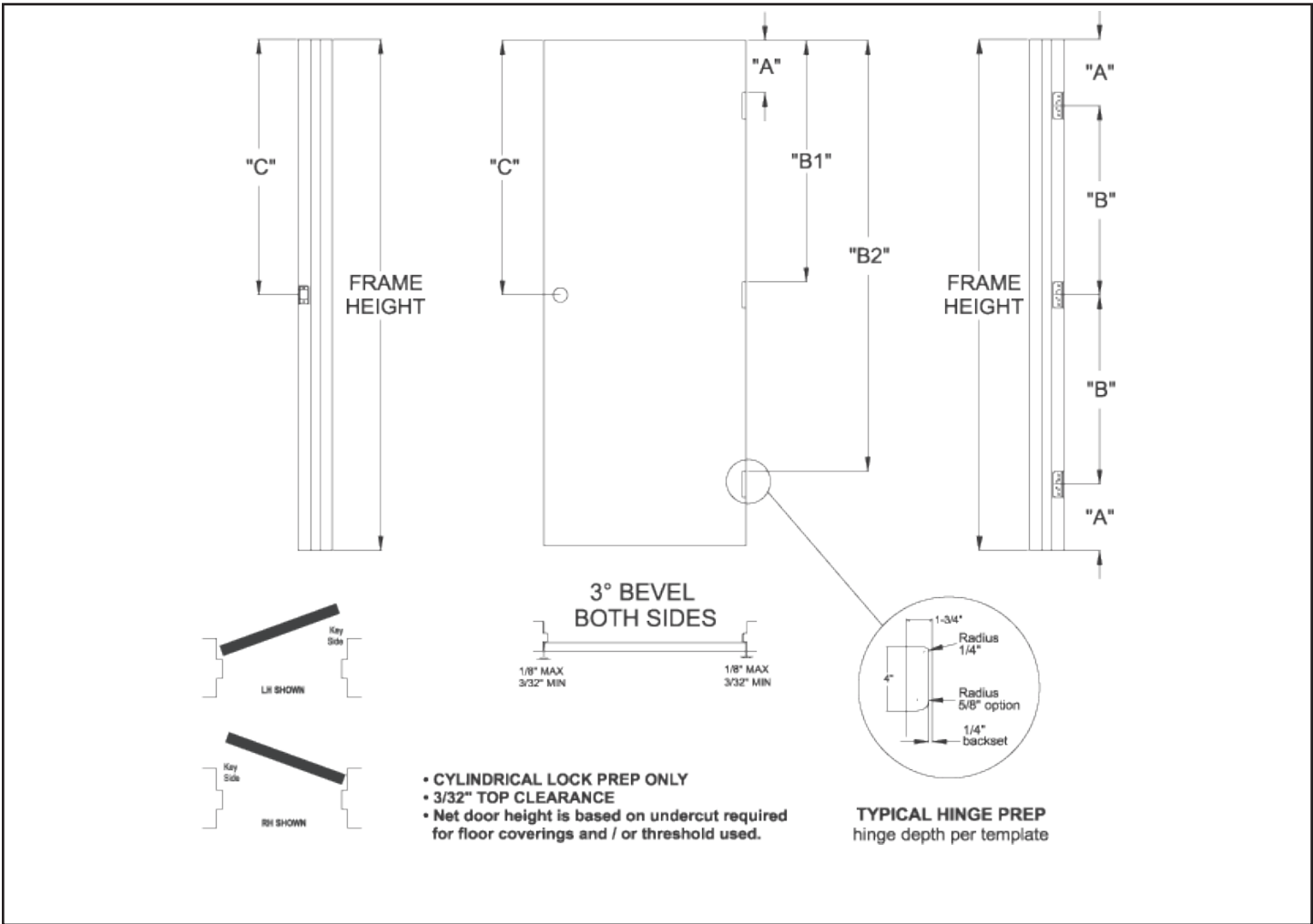


| FRAME DIMENSIONS | | | | | |
|------------------|------------------|---------|--------|--------|---------|
| NOM FRAME HT | NET FRAME HEIGHT | "A" | "B" | "C" | "D" |
| 6-0 | 72 3/16 | 10 3/32 | 17 1/4 | 17 1/2 | 32 3/32 |
| 6-9 | 81 3/16 | 10 3/32 | 20 1/4 | 20 1/2 | 41 3/32 |
| 6-10 | 82 3/16 | 10 3/32 | 20 1/2 | 21 | 42 3/32 |
| 7-0 | 84 3/16 | 10 3/32 | 21 1/4 | 21 1/2 | 44 3/32 |
| 7-2 | 86 3/16 | 10 3/32 | 22 | 22 | 46 3/32 |
| 7-4 | 88 3/16 | 10 3/32 | 22 1/2 | 23 | 48 3/32 |
| 7-6 | 90 3/16 | 10 3/32 | 23 1/4 | 23 1/2 | 50 3/32 |
| 7-8 | 92 3/16 | 10 3/32 | 24 | 24 | 52 3/32 |
| 7-10 | 94 3/16 | 10 3/32 | 24 1/2 | 25 | 54 3/32 |
| 8-0 | 96 3/16 | 10 3/32 | 25 1/4 | 25 1/2 | 56 3/32 |
| 8-2 | 98 3/16 | 10 3/32 | 26 | 26 | 58 3/32 |
| 8-4 | 100 3/16 | 10 3/32 | 26 1/2 | 27 | 60 3/32 |
| 8-6 | 102 3/16 | 10 3/32 | 27 1/4 | 27 1/2 | 62 3/32 |
| 8-8 | 104 3/16 | 10 3/32 | 28 | 28 | 64 3/32 |
| 8-10 | 106 3/16 | 10 3/32 | 28 1/2 | 29 | 66 3/32 |
| 9-0 | 108 3/16 | 10 3/32 | 29 1/4 | 29 1/2 | 68 3/32 |

| DOOR DIMENSIONS | | | | | |
|------------------|-------|--------|--------|--------|--------|
| NET FRAME HEIGHT | "A" | "B1" | "C" | "B2" | "D" |
| 72 3/16 | 8 1/4 | 25 1/2 | 43 | 60 1/4 | 32 |
| 80 3/16 | 8 1/4 | 28 1/4 | 48 1/4 | 68 1/4 | 40 |
| 81 3/16 | 8 1/4 | 28 1/2 | 49 | 69 1/4 | 41 |
| 81 3/16 | 8 1/4 | 28 1/2 | 49 | 69 1/4 | 40 1/2 |
| 82 3/16 | 8 1/4 | 28 3/4 | 49 3/4 | 70 1/4 | 42 |
| 84 3/16 | 8 1/4 | 29 1/2 | 51 | 72 1/4 | 44 |
| 84 3/16 | 8 1/4 | 29 1/2 | 51 | 72 1/4 | 42 |
| 86 3/16 | 8 1/4 | 30 1/4 | 52 1/4 | 74 1/4 | 46 |
| 88 3/16 | 8 1/4 | 30 3/4 | 53 3/4 | 76 1/4 | 48 |
| 90 3/16 | 8 1/4 | 31 1/2 | 55 | 78 1/4 | 50 |
| 92 3/16 | 8 1/4 | 32 1/4 | 56 1/4 | 80 1/4 | 52 |
| 94 3/16 | 8 1/4 | 32 3/4 | 57 3/4 | 82 1/4 | 54 |
| 96 3/16 | 8 1/4 | 33 1/2 | 59 | 84 1/4 | 56 |
| 98 3/16 | 8 1/4 | 34 1/4 | 60 1/4 | 86 1/4 | 58 |
| 100 3/16 | 8 1/4 | 34 3/4 | 61 3/4 | 88 1/4 | 60 |
| 102 3/16 | 8 1/4 | 35 1/2 | 63 | 90 1/4 | 62 |
| 104 3/16 | 8 1/4 | 36 1/4 | 64 1/4 | 92 1/4 | 64 |
| 106 3/16 | 8 1/4 | 36 3/4 | 65 3/4 | 94 1/4 | 66 |
| 108 3/16 | 8 1/4 | 37 1/2 | 67 | 96 1/4 | 68 |

PREFITTING INSTRUCTIONS FOR WOOD DOORS

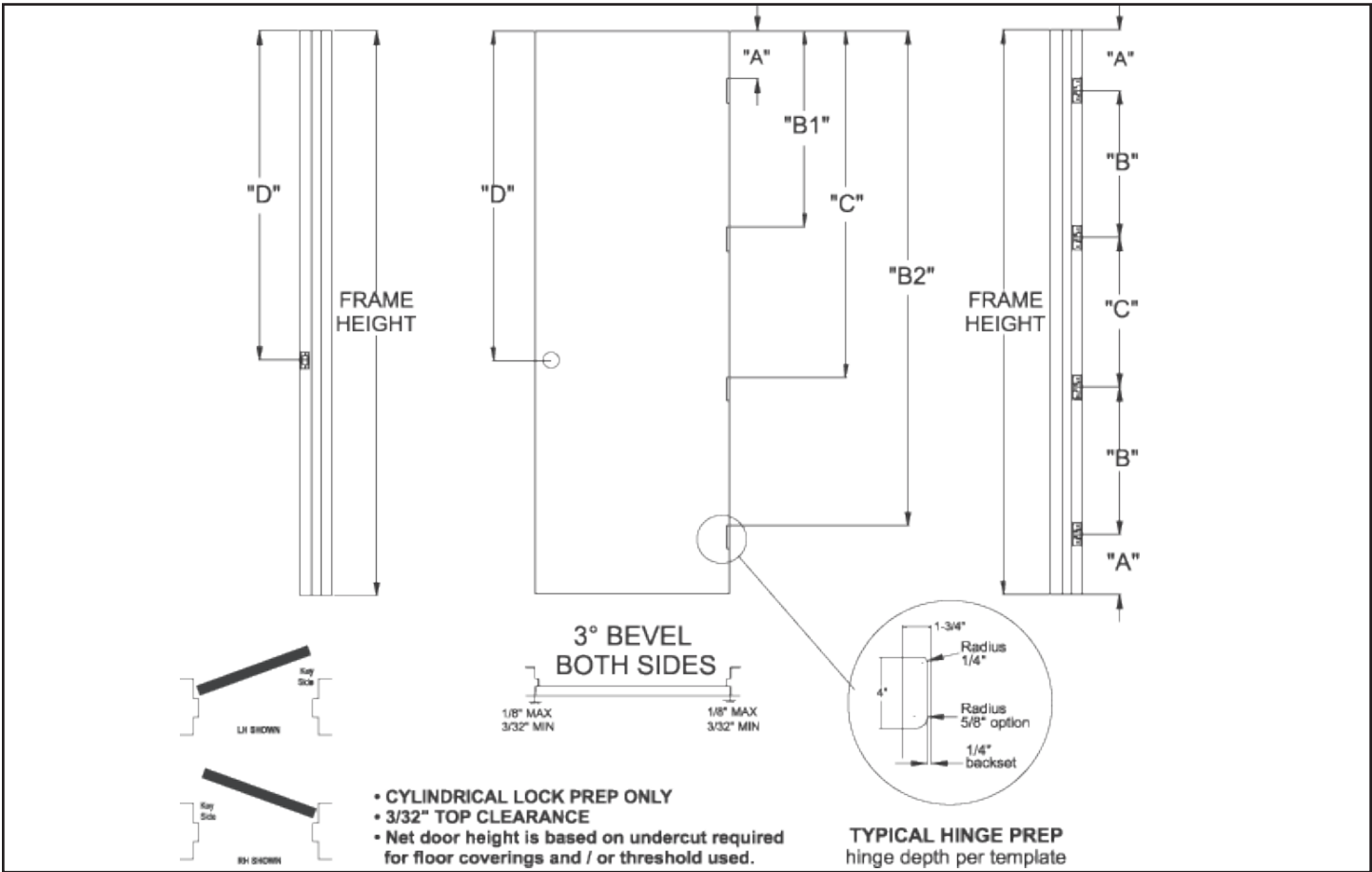
1-1/2" PAIR OF 4" HINGES FOR 1-3/4" DOORS (RFS 5, 6, 9)



| FRAME DIMENSIONS | | | | |
|------------------|------------------|----------|--------|---------|
| NOM FRAME HT | NET FRAME HEIGHT | "A" | "B" | "C" |
| 5-0 | 60 3/16 | 10 11/32 | 19 3/4 | 20 3/32 |
| 5-1 | 61 3/16 | 10 11/32 | 20 1/4 | 21 3/32 |
| 5-2 | 62 3/16 | 10 11/32 | 20 3/4 | 22 3/32 |
| 5-4 | 64 3/16 | 10 11/32 | 21 3/4 | 24 3/32 |
| 6-0 | 72 3/16 | 10 11/32 | 25 3/4 | 32 3/32 |
| 6-9 | 81 3/16 | 10 11/32 | 30 1/4 | 41 3/32 |
| 7-0 | 84 3/16 | 10 11/32 | 31 3/4 | 44 3/32 |
| 7-4 | 88 3/16 | 10 11/32 | 33 3/4 | 48 3/32 |
| 7-6 | 90 3/16 | 10 11/32 | 34 3/4 | 50 3/32 |

| DOOR DIMENSIONS | | | | |
|------------------|-------|--------|--------|--------|
| NET FRAME HEIGHT | "A" | "B1" | "B2" | "C" |
| 60 3/16 | 8 1/4 | 28 | 47 3/4 | 20 |
| 61 3/16 | 8 1/4 | 28 1/2 | 48 3/4 | 21 |
| 62 3/16 | 8 1/4 | 29 | 49 3/4 | 22 |
| 64 3/16 | 8 1/4 | 30 | 51 3/4 | 24 |
| 72 3/16 | 8 1/4 | 34 | 59 3/4 | 32 |
| 80 3/16 | 8 1/4 | 38 | 67 3/4 | 40 |
| 81 3/16 | 8 1/4 | 38 1/2 | 68 3/4 | 41 |
| 81 3/16 | 8 1/4 | 38 1/2 | 68 3/4 | 40 1/2 |
| 84 3/16 | 8 1/4 | 40 | 71 3/4 | 44 |
| 84 3/16 | 8 1/4 | 40 | 71 3/4 | 42 |
| 88 3/16 | 8 1/4 | 42 | 75 3/4 | 48 |
| 90 3/16 | 8 1/4 | 43 | 77 3/4 | 50 |

2 PAIR OF 4" HINGES FOR 1-3/4" DOORS (RFS 19, RFS 22)

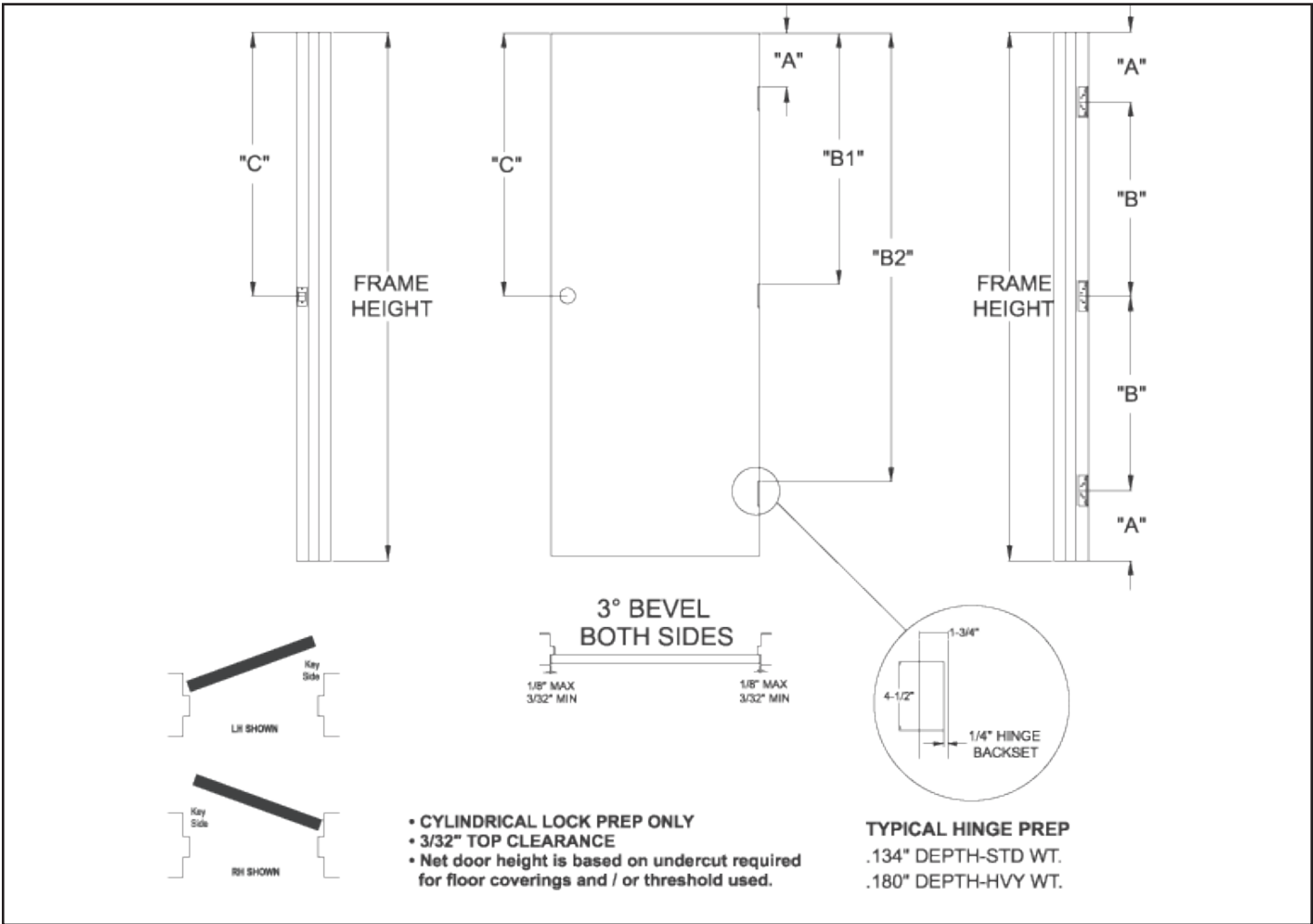


| FRAME DIMENSIONS | | | | | |
|------------------|------------------|----------|--------|--------|---------|
| NOM FRAME HT | NET FRAME HEIGHT | "A" | "B" | "C" | "D" |
| 6-0 | 72 3/16 | 10 11/32 | 17 | 17 1/2 | 32 3/32 |
| 6-9 | 81 3/16 | 10 11/32 | 20 1/8 | 20 1/4 | 41 3/32 |
| 6-10 | 82 3/16 | 10 11/32 | 20 1/2 | 20 1/2 | 42 3/32 |
| 7-0 | 84 3/16 | 10 11/32 | 21 | 21 1/2 | 44 3/32 |
| 7-2 | 86 3/16 | 10 11/32 | 21 3/4 | 22 | 46 3/32 |
| 7-4 | 88 3/16 | 10 11/32 | 22 1/2 | 22 1/2 | 48 3/32 |
| 7-6 | 90 3/16 | 10 11/32 | 23 | 23 1/2 | 50 3/32 |
| 7-8 | 92 3/16 | 10 11/32 | 23 3/4 | 24 | 52 3/32 |
| 7-10 | 94 3/16 | 10 11/32 | 24 1/2 | 24 1/2 | 54 3/32 |
| 8-0 | 96 3/16 | 10 11/32 | 25 | 25 1/2 | 56 3/32 |
| 8-2 | 98 3/16 | 10 11/32 | 25 3/4 | 26 | 58 3/32 |
| 8-4 | 100 3/16 | 10 11/32 | 26 1/2 | 26 1/2 | 60 3/32 |
| 8-6 | 102 3/16 | 10 11/32 | 27 | 27 1/2 | 62 3/32 |
| 8-8 | 104 3/16 | 10 11/32 | 27 3/4 | 28 | 64 3/32 |
| 8-10 | 106 3/16 | 10 11/32 | 28 1/2 | 28 1/2 | 66 3/32 |
| 9-0 | 108 3/16 | 10 11/32 | 29 | 29 1/2 | 68 3/32 |

| DOOR DIMENSIONS | | | | | |
|------------------|-------|--------|--------|--------|--------|
| NET FRAME HEIGHT | "A" | "B1" | "C" | "B2" | "D" |
| 72 3/16 | 8 1/4 | 25 1/4 | 42 3/4 | 59 3/4 | 32 |
| 80 3/16 | 8 1/4 | 28 | 48 | 67 3/4 | 40 |
| 81 3/16 | 8 1/4 | 28 3/8 | 48 5/8 | 68 3/4 | 41 |
| 81 3/16 | 8 1/4 | 28 3/8 | 48 5/8 | 68 3/4 | 40 1/2 |
| 82 3/16 | 8 1/4 | 28 3/4 | 49 1/4 | 69 3/4 | 42 |
| 84 3/16 | 8 1/4 | 29 1/4 | 50 3/4 | 71 3/4 | 44 |
| 84 3/16 | 8 1/4 | 29 1/4 | 50 3/4 | 71 3/4 | 42 |
| 86 3/16 | 8 1/4 | 30 | 52 | 73 3/4 | 46 |
| 88 3/16 | 8 1/4 | 30 3/4 | 53 1/4 | 75 3/4 | 48 |
| 90 3/16 | 8 1/4 | 31 1/4 | 54 3/4 | 77 3/4 | 50 |
| 92 3/16 | 8 1/4 | 32 | 56 | 79 3/4 | 52 |
| 94 3/16 | 8 1/4 | 32 3/4 | 57 1/4 | 81 3/4 | 54 |
| 96 3/16 | 8 1/4 | 33 1/4 | 58 3/4 | 83 3/4 | 56 |
| 98 3/16 | 8 1/4 | 34 | 60 | 85 3/4 | 58 |
| 100 3/16 | 8 1/4 | 34 3/4 | 61 1/4 | 87 3/4 | 60 |
| 102 3/16 | 8 1/4 | 35 1/4 | 62 3/4 | 89 3/4 | 62 |
| 104 3/16 | 8 1/4 | 36 | 64 | 91 3/4 | 64 |
| 106 3/16 | 8 1/4 | 36 3/4 | 65 1/4 | 93 3/4 | 66 |
| 108 3/16 | 8 1/4 | 37 1/4 | 66 3/4 | 95 3/4 | 68 |

PREFITTING INSTRUCTIONS FOR WOOD DOORS

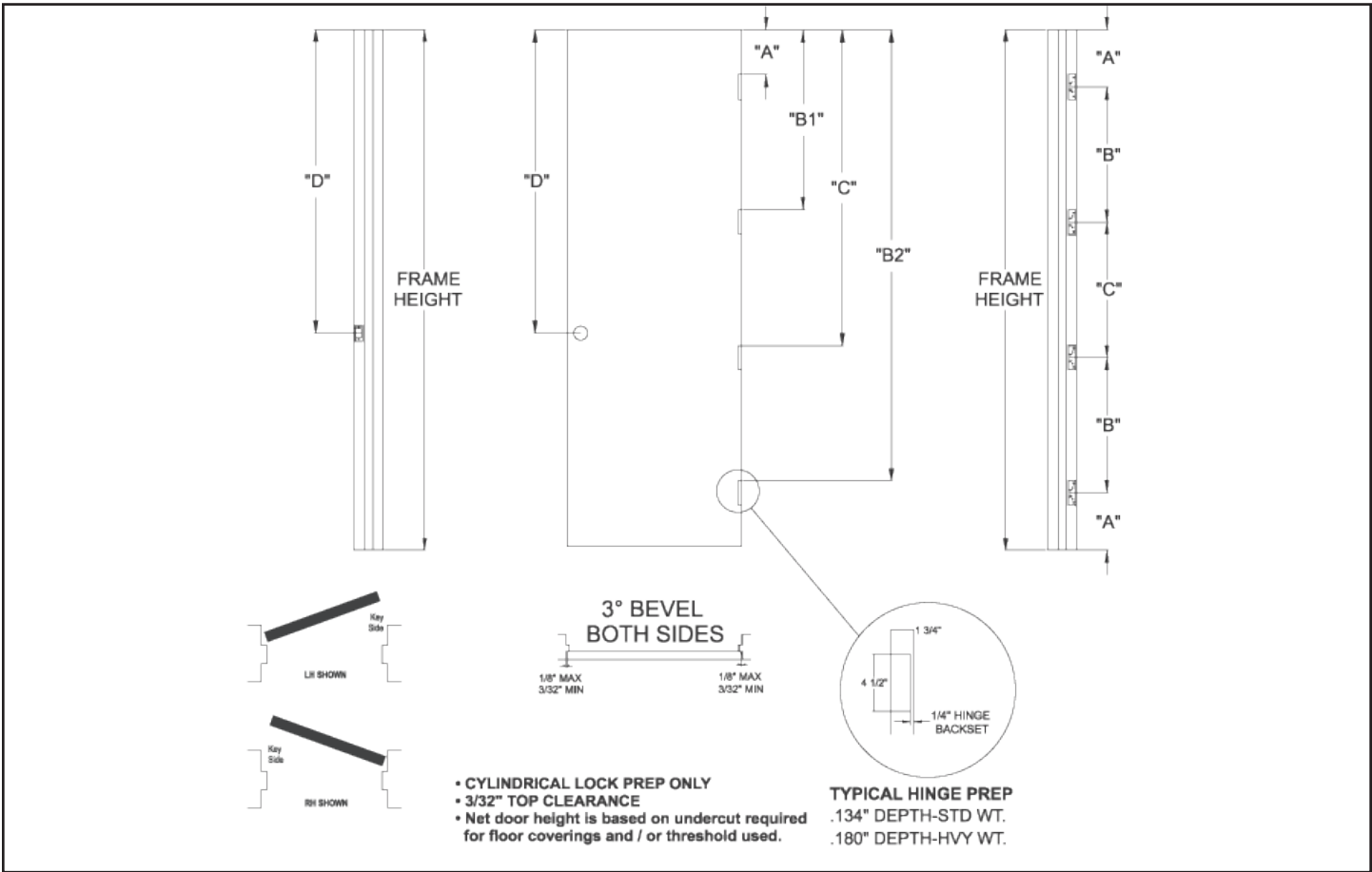
1-1/2 PAIR OF 4-1/2" (114) HINGES FOR 1-3/4" DOORS (RFS 31, RFS 32, RFS 33)



| FRAME DIMENSIONS | | | | |
|------------------|------------------|----------|--------|---------|
| NOM FRAME HT | NET FRAME HEIGHT | "A" | "B" | "C" |
| 5-0 | 60 3/16 | 10 19/32 | 19 1/2 | 20 3/32 |
| 5-1 | 61 3/16 | 10 19/32 | 20 | 21 3/32 |
| 5-2 | 62 3/16 | 10 19/32 | 20 1/2 | 22 3/32 |
| 5-4 | 64 3/16 | 10 19/32 | 21 1/2 | 24 3/32 |
| 6-0 | 72 3/16 | 10 19/32 | 25 1/2 | 32 3/32 |
| 6-9 | 81 3/16 | 10 19/32 | 30 | 41 3/32 |
| 7-0 | 84 3/16 | 10 19/32 | 31 1/2 | 44 3/32 |
| 7-4 | 88 3/16 | 10 19/32 | 33 1/2 | 48 3/32 |
| 7-6 | 90 3/16 | 10 19/32 | 34 1/2 | 50 3/32 |

| DOOR DIMENSIONS | | | | |
|------------------|-------|--------|--------|--------|
| NET FRAME HEIGHT | "A" | "B1" | "B2" | "C" |
| 60 3/16 | 8 1/4 | 27 3/4 | 47 1/4 | 20 |
| 61 3/16 | 8 1/4 | 28 1/4 | 48 1/4 | 21 |
| 62 3/16 | 8 1/4 | 28 3/4 | 49 1/4 | 22 |
| 64 3/16 | 8 1/4 | 29 3/4 | 51 1/4 | 24 |
| 72 3/16 | 8 1/4 | 33 3/4 | 59 1/4 | 32 |
| 80 3/16 | 8 1/4 | 37 3/4 | 67 1/4 | 40 |
| 81 3/16 | 8 1/4 | 38 1/4 | 68 1/4 | 41 |
| 81 3/16 | 8 1/4 | 38 1/4 | 68 1/4 | 40 1/2 |
| 84 3/16 | 8 1/4 | 39 3/4 | 71 1/4 | 44 |
| 84 3/16 | 8 1/4 | 39 3/4 | 71 1/4 | 42 |
| 88 3/16 | 8 1/4 | 41 3/4 | 75 1/4 | 48 |
| 90 3/16 | 8 1/4 | 42 3/4 | 77 1/4 | 50 |

2 PAIR OF 4-1/2" (114) HINGES FOR 1-3/4" DOORS (RFS 35, RFS 36, RFS 37)

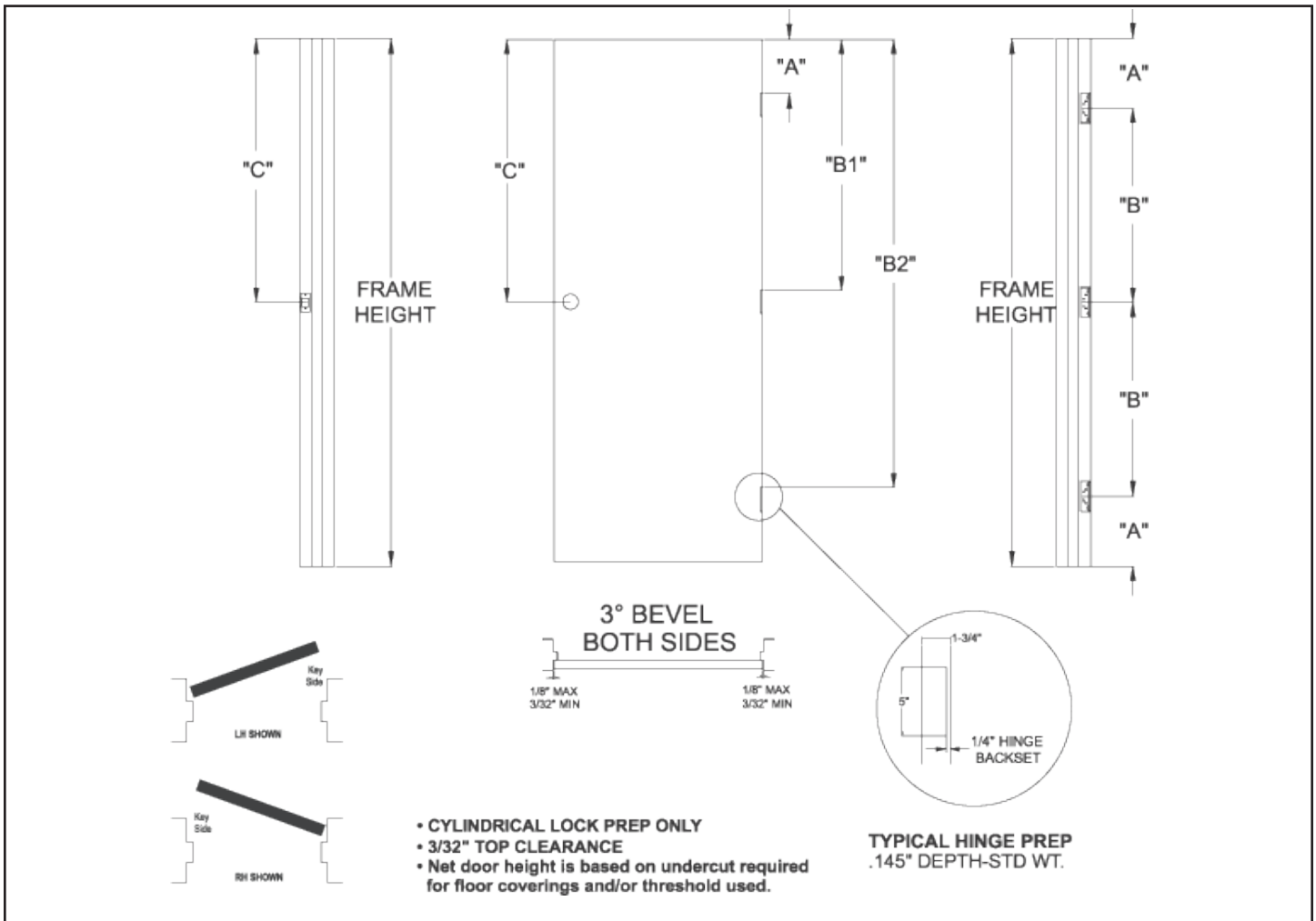


| FRAME DIMENSIONS | | | | | |
|------------------|------------------|----------|--------|--------|---------|
| NOM FRAME HT | NET FRAME HEIGHT | "A" | "B" | "C" | "D" |
| 6-0 | 72 3/16 | 10 19/32 | 17 | 17 | 32 3/32 |
| 6-9 | 81 3/16 | 10 19/32 | 20 | 20 | 41 3/32 |
| 6-10 | 82 3/16 | 10 19/32 | 20 1/4 | 20 1/2 | 42 3/32 |
| 7-0 | 84 3/16 | 10 19/32 | 21 | 21 | 44 3/32 |
| 7-2 | 86 3/16 | 10 19/32 | 21 1/2 | 22 | 46 3/32 |
| 7-4 | 88 3/16 | 10 19/32 | 22 1/4 | 22 1/2 | 48 3/32 |
| 7-6 | 90 3/16 | 10 19/32 | 23 | 23 | 50 3/32 |
| 7-8 | 92 3/16 | 10 19/32 | 23 1/2 | 24 | 52 3/32 |
| 7-10 | 94 3/16 | 10 19/32 | 24 1/2 | 24 | 54 3/32 |
| 8-0 | 96 3/16 | 10 19/32 | 25 | 25 | 56 3/32 |
| 8-2 | 98 3/16 | 10 19/32 | 25 1/2 | 26 | 58 3/32 |
| 8-4 | 100 3/16 | 10 19/32 | 26 1/4 | 26 1/2 | 60 3/32 |
| 8-6 | 102 3/16 | 10 19/32 | 27 | 27 | 62 3/32 |
| 8-8 | 104 3/16 | 10 19/32 | 27 1/2 | 28 | 64 3/32 |
| 8-10 | 106 3/16 | 10 19/32 | 28 1/2 | 28 | 66 3/32 |
| 9-0 | 108 3/16 | 10 19/32 | 29 | 29 | 68 3/32 |

| DOOR DIMENSIONS | | | | | |
|------------------|-------|--------|--------|--------|--------|
| NET FRAME HEIGHT | "A" | "B1" | "C" | "B2" | "D" |
| 72 3/16 | 8 1/4 | 25 1/4 | 42 1/4 | 59 1/4 | 32 |
| 80 3/16 | 8 1/4 | 27 3/4 | 47 3/4 | 67 1/4 | 40 |
| 81 3/16 | 8 1/4 | 28 1/4 | 48 1/4 | 68 1/4 | 41 |
| 81 3/16 | 8 1/4 | 28 1/4 | 48 1/4 | 68 1/4 | 40 1/2 |
| 82 3/16 | 8 1/4 | 28 1/2 | 49 | 69 1/4 | 42 |
| 84 3/16 | 8 1/4 | 29 1/4 | 50 1/4 | 71 1/4 | 44 |
| 84 3/16 | 8 1/4 | 29 1/4 | 50 1/4 | 71 1/4 | 42 |
| 86 3/16 | 8 1/4 | 29 3/4 | 51 3/4 | 73 1/4 | 46 |
| 88 3/16 | 8 1/4 | 30 1/2 | 53 | 75 1/4 | 48 |
| 90 3/16 | 8 1/4 | 31 1/4 | 54 1/4 | 77 1/4 | 50 |
| 92 3/16 | 8 1/4 | 31 3/4 | 55 3/4 | 79 1/4 | 52 |
| 94 3/16 | 8 1/4 | 32 3/4 | 56 3/4 | 81 1/4 | 54 |
| 96 3/16 | 8 1/4 | 33 1/4 | 58 1/4 | 83 1/4 | 56 |
| 98 3/16 | 8 1/4 | 33 3/4 | 59 3/4 | 85 1/4 | 58 |
| 100 3/16 | 8 1/4 | 34 1/2 | 61 | 87 1/4 | 60 |
| 102 3/16 | 8 1/4 | 35 1/4 | 62 1/4 | 89 1/4 | 62 |
| 104 3/16 | 8 1/4 | 35 3/4 | 63 3/4 | 91 1/4 | 64 |
| 106 3/16 | 8 1/4 | 36 3/4 | 64 3/4 | 93 1/4 | 66 |
| 108 3/16 | 8 1/4 | 37 1/4 | 66 1/4 | 95 1/4 | 68 |

PREFITTING INSTRUCTIONS FOR WOOD DOORS

1-1/2 PAIR OF 5" (127) HINGES FOR 1-3/4" DOORS



| FRAME DIMENSIONS | | | | |
|------------------|------------------|----------|--------|---------|
| NOM FRAME HT | NET FRAME HEIGHT | "A" | "B" | "C" |
| 5-0 | 60 3/16 | 10 27/32 | 19 1/4 | 20 3/32 |
| 5-1 | 61 3/16 | 10 27/32 | 19 3/4 | 21 3/32 |
| 5-2 | 62 3/16 | 10 27/32 | 20 1/4 | 22 3/32 |
| 5-4 | 64 3/16 | 10 27/32 | 21 1/4 | 24 3/32 |
| 6-0 | 72 3/16 | 10 27/32 | 25 1/4 | 32 3/32 |
| 6-9 | 81 3/16 | 10 27/32 | 29 3/4 | 41 3/32 |
| 7-0 | 84 3/16 | 10 27/32 | 31 1/4 | 44 3/32 |
| 7-4 | 88 3/16 | 10 27/32 | 33 1/4 | 48 3/32 |
| 7-6 | 90 3/16 | 10 27/32 | 34 1/4 | 50 3/32 |

| DOOR DIMENSIONS | | | | |
|------------------|-------|--------|--------|--------|
| NET FRAME HEIGHT | "A" | "B1" | "B2" | "C" |
| 60 3/16 | 8 1/4 | 27 1/2 | 46 3/4 | 20 |
| 61 3/16 | 8 1/4 | 28 | 47 3/4 | 21 |
| 62 3/16 | 8 1/4 | 28 1/2 | 48 3/4 | 22 |
| 64 3/16 | 8 1/4 | 29 1/2 | 50 3/4 | 24 |
| 72 3/16 | 8 1/4 | 33 1/2 | 58 3/4 | 32 |
| 80 3/16 | 8 1/4 | 37 1/2 | 66 3/4 | 40 |
| 81 3/16 | 8 1/4 | 38 | 67 3/4 | 41 |
| 81 3/16 | 8 1/4 | 38 | 67 3/4 | 40 1/2 |
| 84 3/16 | 8 1/4 | 39 1/2 | 70 3/4 | 44 |
| 84 3/16 | 8 1/4 | 39 1/2 | 70 3/4 | 42 |
| 88 3/16 | 8 1/4 | 41 1/2 | 74 3/4 | 48 |
| 90 3/16 | 8 1/4 | 42 1/2 | 76 3/4 | 50 |



1101 Technology Drive | Dothan, Alabama 36303
800.633.7553 | 334.794.9184 fax
 www.dunbarton.com | sales@dunbarton.com