

# INSTALLATION OF ASSEMBLED PREHUNG UNIT

## CLOSURE PACKAGE TO CONTAIN:

- (2) upright closures
- (1) header closure
- (1) aluminum extender optional
- (1) strike package hardware bag (optional in US10B, US4, US26D finishes)
- (1) installation sheet

### 1 Install Prehung Unit Into Wall Opening

- Set clearances and attach to wall using the recommended fasteners. *Figure A*

### 2 Install Closures

- Set clearances and attach to wall using the recommended fasteners.
- Note: While installing closure pieces, make sure the closure goes between the stop return and each individual weld plate of the base side of the frame. *Figure B*

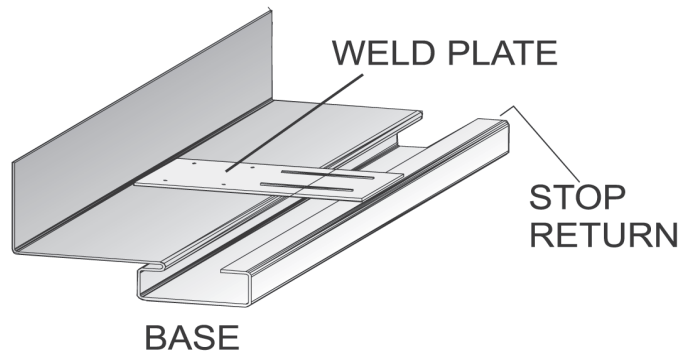
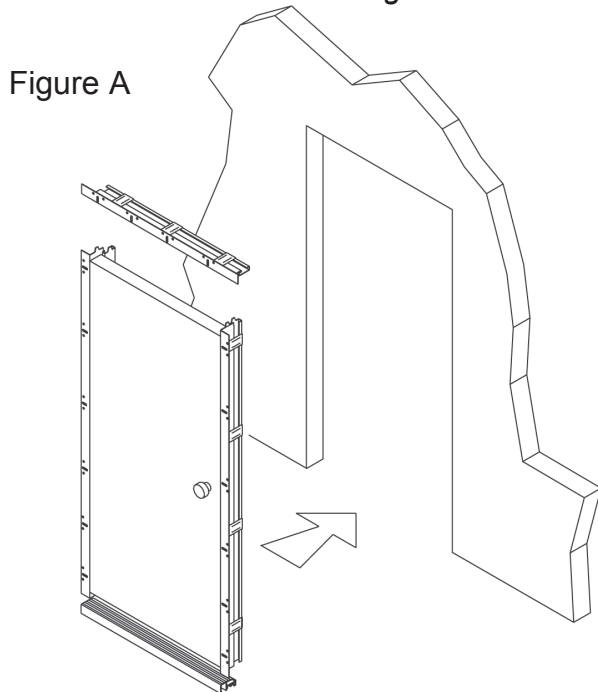
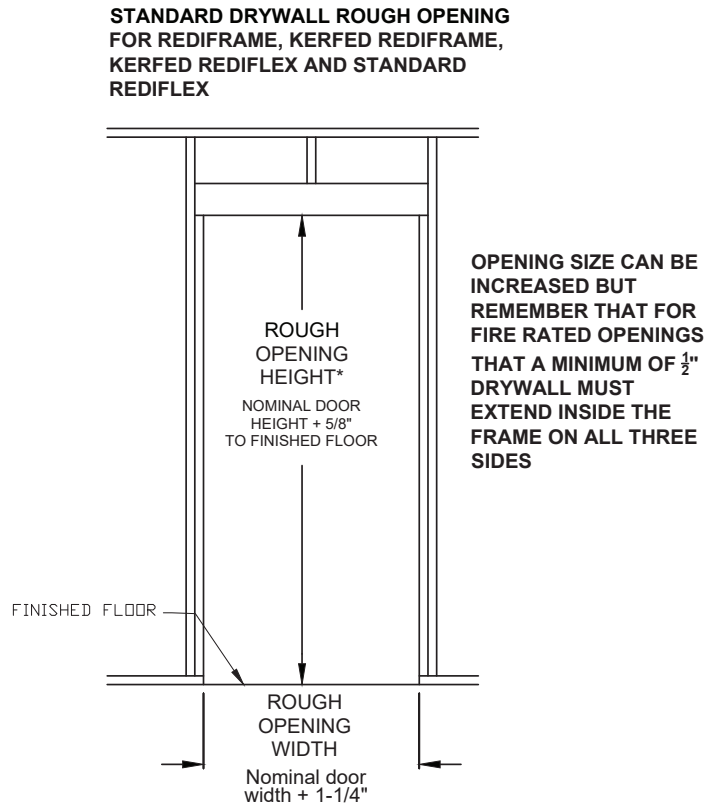


Figure B

1101 Technology Drive | Dothan, Alabama 36303  
800.633.7553 | Fax: 334.793.3462  
www.dunbarton.com | sales@dunbarton.com

### 3 Install Threshold Extender (None required for ADA or Bumper Outswing) For Ultra Threshold and Base Kit:

- Extenders are factory-notched for the listed wall sizes. *Figure C*
- The extenders can be notched in the field for a smaller wall size. See below for notching details. *Figure D 1 & 2*
- Slip extender into threshold. *Figure E*
- Drill a 3/16" (5 mm) diameter hole in the extender approximately 2" – 3" (51 mm - 76 mm) from each end for (2) #10 x 1-1/2" (38 mm) flat head Phillips screws (provided). *Figure F*

**WARNING: Extender must be attached to the floor or warranty is voided.**

Figure C

Kerf Wall Size	Non-Kerf Wall Size	Extender Width	Extender Wall Size as Notched
4-1/2" > 5-1/2" 114 mm > 140 mm	4" > 5-1/4" 102 mm > 133 mm	3-3/4" 95 mm	5" 127 mm
5-1/2" > 6-1/2" 140 mm > 165 mm	5" > 6-1/4" 127 mm > 159 mm	4-3/4" 121 mm	6" 152 mm
6-1/2" > 7-1/2" 165 mm > 191 mm	6" > 7-1/4" 152 mm > 184 mm	5-3/4" 146 mm	7" 178 mm

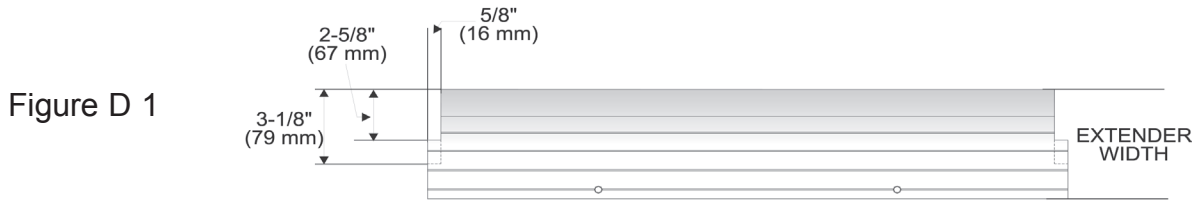


Figure D2

Extender Width	Wall Size (Factory Set)	Notch Depth (Factory Set)	Minimum Wall Size	Notch Depth (In field)
3-3/4" 95 mm	5" 127 mm	2-5/8" 67 mm	4-1/2" 114 mm	3-1/8" 79 mm
4-3/4" 121 mm	6" 152 mm	2-5/8" 67 mm	5-1/2" 140 mm	3-1/8" 79 mm
5-3/4" 146 mm	7" 178 mm	2-5/8" 67 mm	6-1/2" 165 mm	3-1/8" 79 mm

Figure E

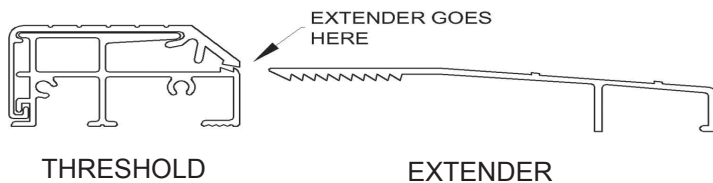
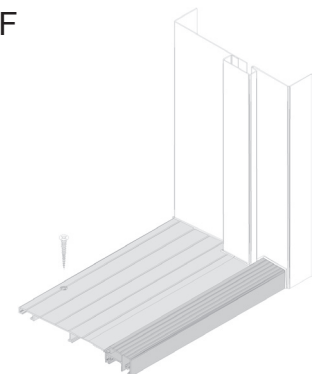


Figure F



**For Endura 'Z' Series Threshold and Base Kit:**

- Insert extender into threshold sill as shown. *Figure G*
- Caulk entire joint between frame and threshold.

*Figure H* (applies to *all* thresholds)

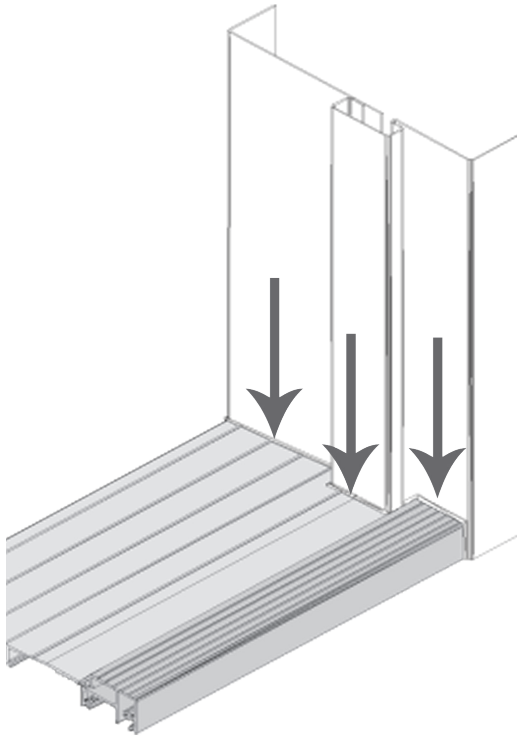


Figure H

**WARNING: Extender must be attached to the floor or warranty is voided.**

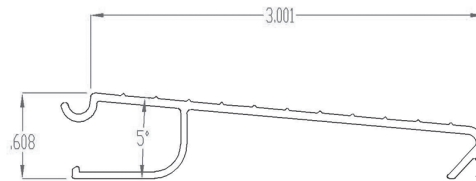
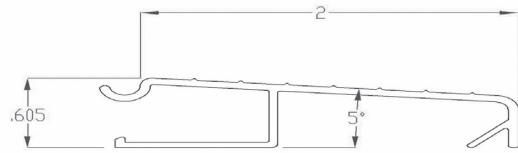
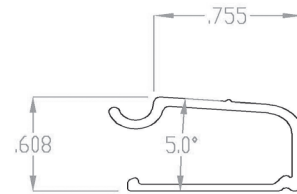
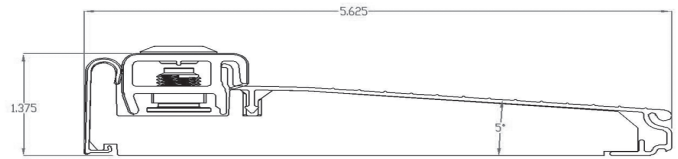


Figure G

**SPECIAL PRODUCT APPLICATION REQUIREMENTS**

**PAINT:** Primed units should be painted within 30 (thirty) days with an oil-based enamel (recommended) or a high quality water base latex. A flash rust inhibitor must be used with water base latex method.

**PAINT INSTRUCTION DETAILS:** (1) Wet-clean with mild abrasive cleaner. Rinse completely and wipe dry; (2) Use a high quality interior or exterior (depending upon application) paint to finish the frame. Apply paint when temperature is above 50 degrees F and humidity is below 90%; (3) DO NOT PAINT WEATHERSTRIP. Kerf weatherstrip can be temporarily removed for painting. Consult factory.

**QUESTIONS? CONTACT CUSTOMER SERVICE: 800-633-7553**



1101 Technology Drive | Dothan, Alabama 36303  
**800.633.7553** | 334.794.9184 fax  
 www.dunbarton.com | sales@dunbarton.com