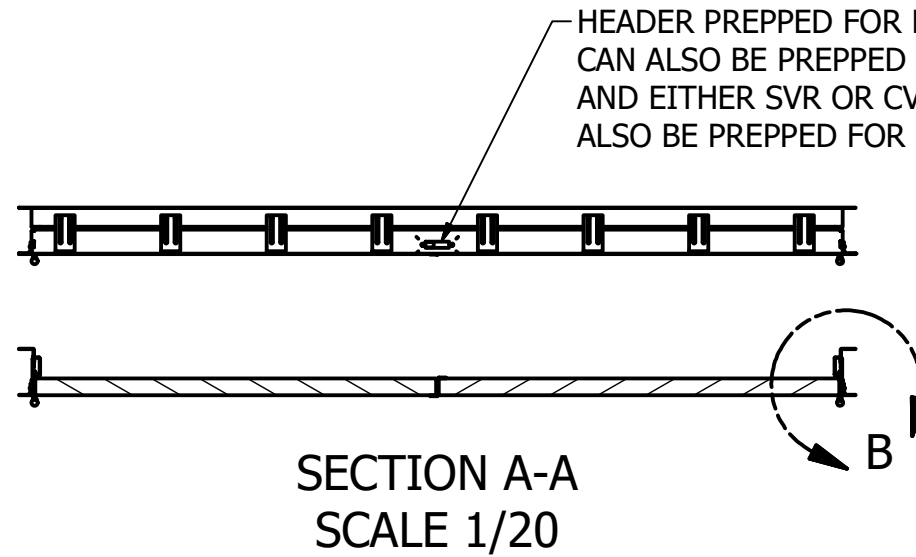
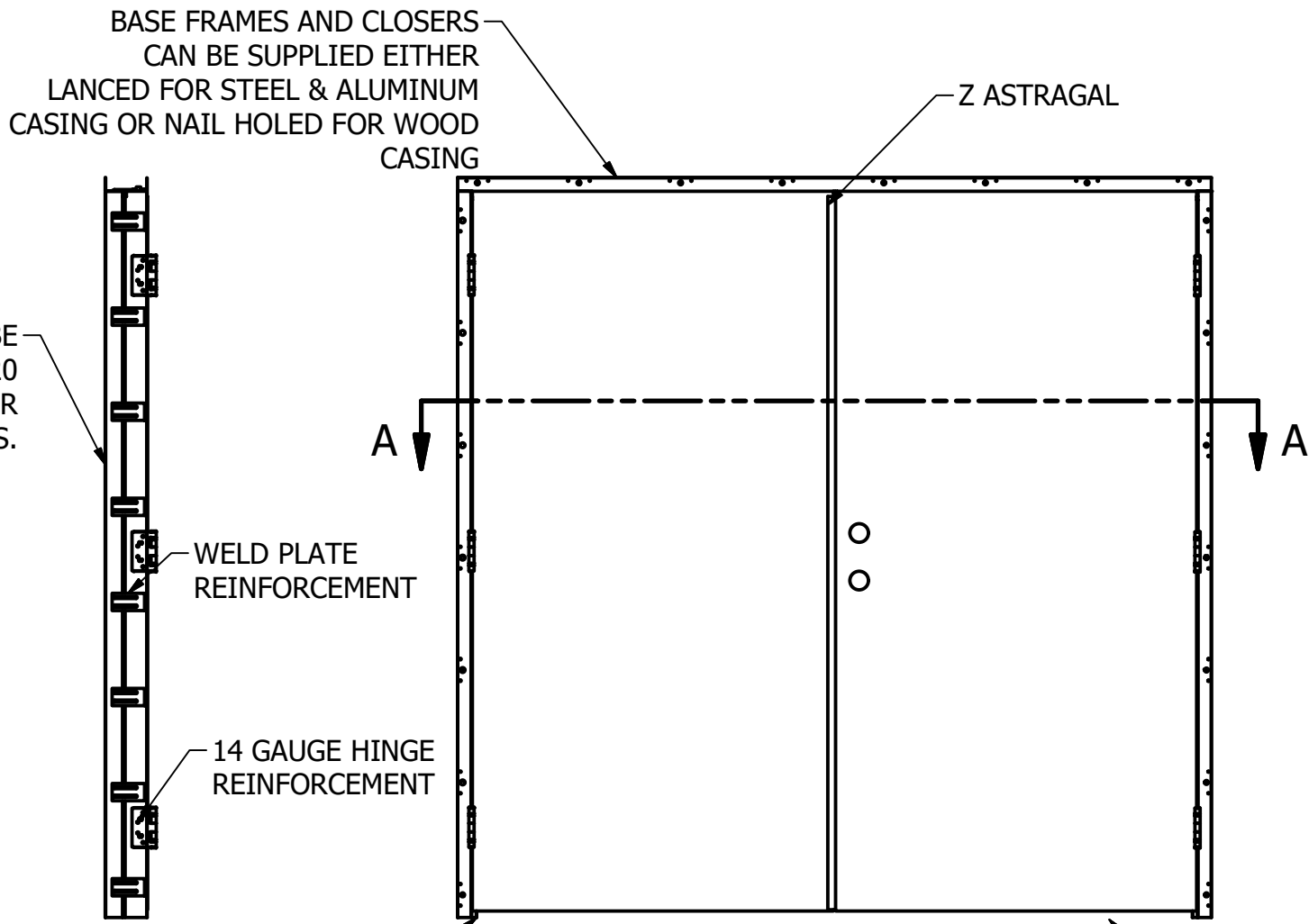
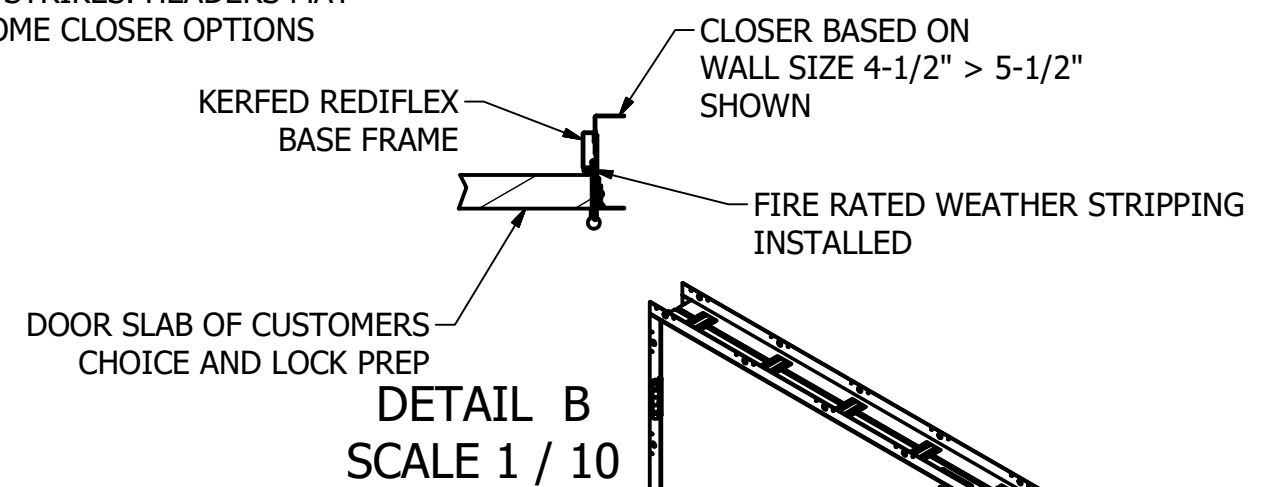


**BASE FRAME AND DOORS ARE SHIPPED STANDING UP AND CLOSERS ARE PACKED SEPARATELY AND SHIPPED IN CARTONS WITH UNITS. DOORS ARE HELD SQUARE IN OPENING WITH THE USE OF A PRE-HANG CLIP AND SPACERS WHICH ARE REMOVED AFTER INSTALLATION INTO WALL**

REVISION HISTORY				
REV	DESCRIPTION	ECN	DATE	BY
A				



HEADER PREPPED FOR REVERSIBLE FLUSHBOLT CAN ALSO BE PREPPED FOR ROLLER LATCHES AND EITHER SVR OR CVR STRIKES. HEADERS MAY ALSO BE PREPPED FOR SOME CLOSER OPTIONS



BASE FRAMES AND CLOSERS CAN BE SUPPLIED EITHER LANCED FOR STEEL & ALUMINUM CASING OR NAIL HOLED FOR WOOD CASING

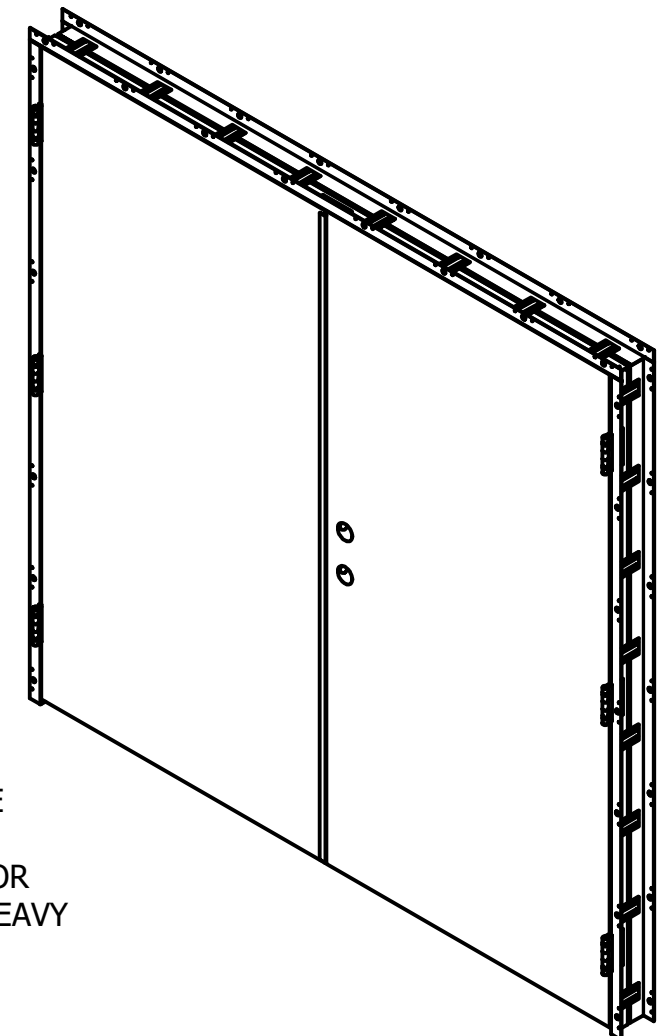
CLOSERS CAN BE EITHER 18 OR 20 GAUGE IN EITHER GAVANIZED OR C.R.S.

HINGE OPTIONS INCLUDE 5", 4.5", AND 4.0" THEY CAN ALSO BE PREPPED FOR ELECTRIC HINGES AND HEAVY HINGES

DUNBARTON OFFERS A LARGE SELECTION OF SILL PREPS AND SILLS THAT CAN BE FACTORY INSTALLED DURING MFG

**4-3/4" WALL LH ACTIVE 7070 PAIR DOOR SHOWN**

UNDERCUT CAN VARY TO SUIT CUSTOMER REQUEST



THIS DRAWING CONTAINS PROPRIETARY INFORMATION BELONGING TO DUNBARTON CORPORATION, AND SUCH INFORMATION MAY NOT BE DISCLOSED TO OTHERS, REPRODUCED, COPIED OR USED WITHOUT WRITTEN AUTHORITY FROM AN OFFICER OF DUNBARTON CORPORATION.

**DUNBARTON** DUNBARTON CORPORATION  
868 MURRAY ROAD  
DOTHAN, AL 36303

DESCRIPTION:  
7070 434 RFIT KRFX Frame Assembly

UNSPECIFIED TOLERANCES:	BY: Adam R	DATE: 8/22/2018	SCALE:
FRAC ± 1/32	SHEET: 1 of 1	DRAWING NO.:	REVISION
2 DEC ± .010	PART NO.:		A
3 DEC ± .005			
ANGULAR ± .5			