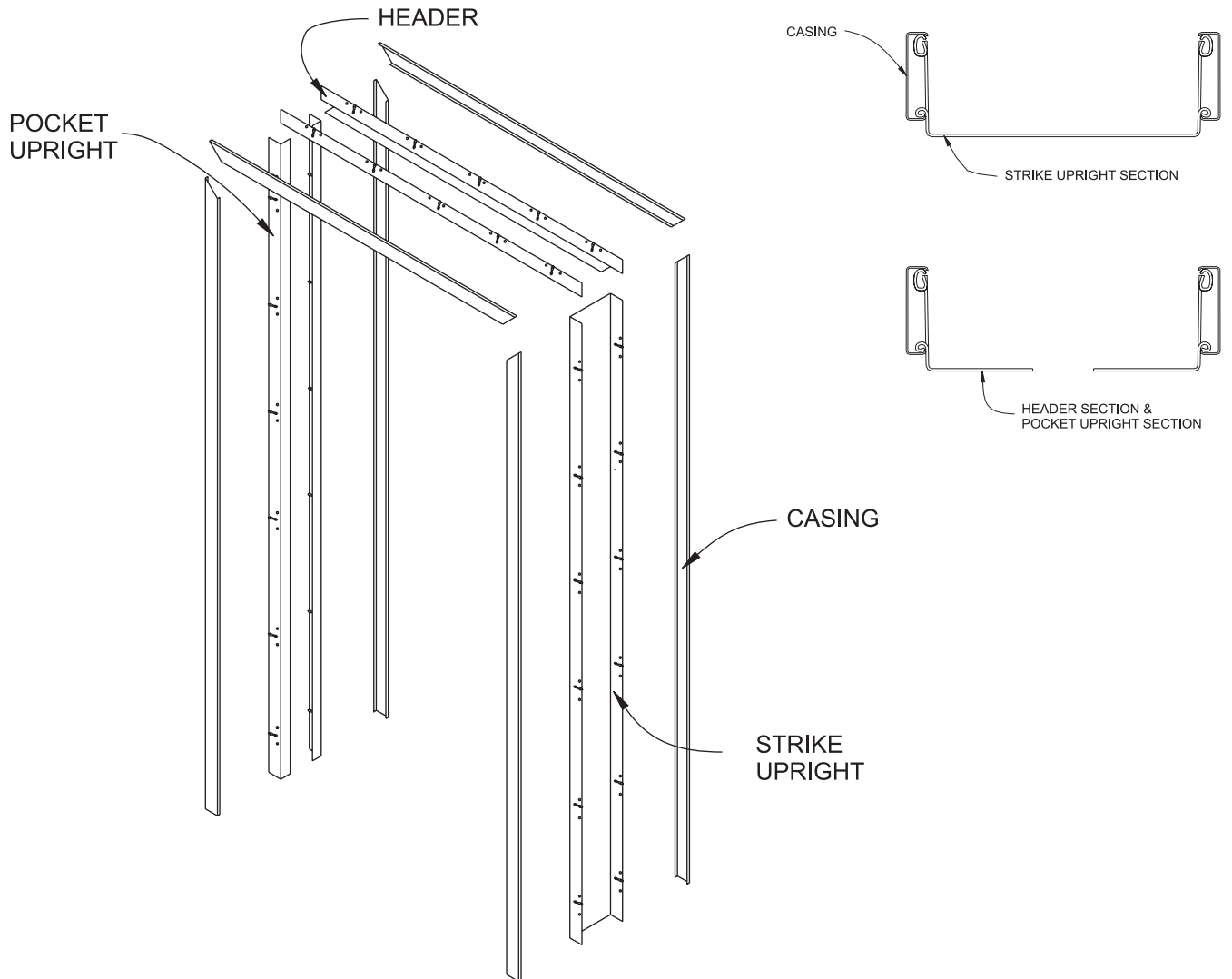


Keep These Instructions!

PLEASE FOLLOW ALL INSTRUCTIONS AND ALWAYS USE PROTECTIVE EYEWEAR WHEN INSTALLING DOOR FRAMES. PLEASE READ INSTRUCTIONS COMPLETELY.

POCKET DOOR INSTALLATION SHEET



**INSTALLATION QUESTIONS OR MISSING PARTS?
DO NOT RETURN THIS DOOR TO THE STORE!**

Thank you for purchasing this Rediframe product. We take pride in the products we manufacture and are confident you will be pleased with your selection. However, sometimes a product may leave our factory in less than perfect condition. If you have questions or are missing component parts necessary to complete the installation, **do not return to the place of purchase**. Give us a call first. More than likely, we can solve the problem without the hassle and expense of returning product to the store. **Call Customer Service:** 1-800-633-7553 from 8:00 a.m. to 5:00 p.m. CST, Monday through Friday.

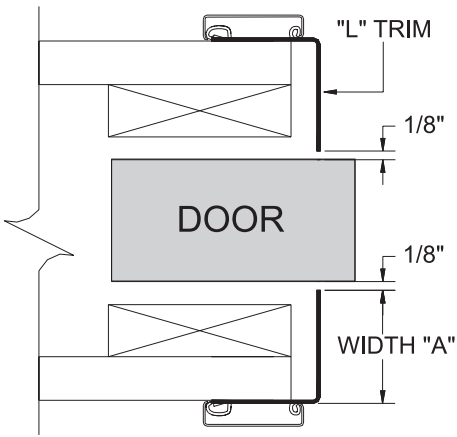


REDIFRAME™

Door Frames

P.O. BOX 6416 | DOTHAN, ALABAMA 36302-6416
800-633-7553
334-793-3462 (fax)
www.dunbarton.com
email: slimfold@dunbarton.com

"L" Trim Dimensions



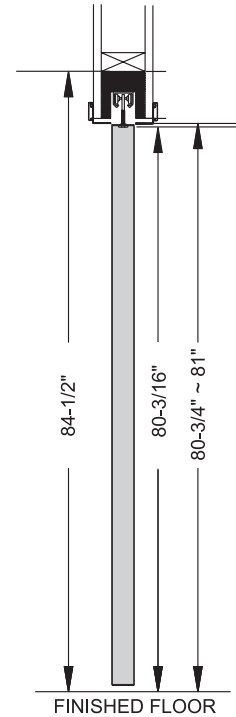
Wall Size	Width	
	1-3/8" Door	1-3/4" Door
4-1/2"	1-7/16"	1-1/4"
4-5/8"	1-1/2"	1-5/16"
4-3/4"	1-9/16"	1-3/8"
4-7/8"	1-5/8"	1-7/16"
5-3/8"	1-7/8"	1-11/16"
6-3/4"	2-1/2"	2-5/16"
6-7/8"	2-5/8"	2-7/16"

$$\text{"L" Width} = \frac{\text{Wall Size} - \text{Door Thickness} - 1/4"}{2}$$

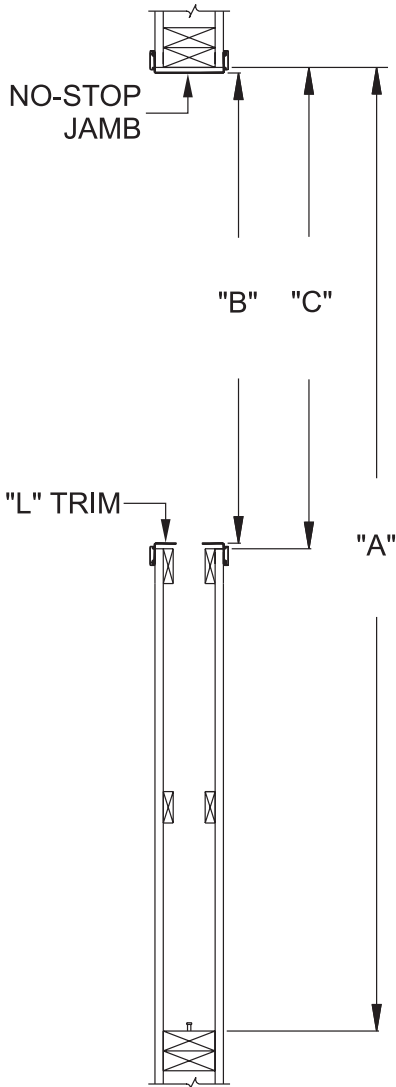
"L" Width =

2

Jamb Height Dimensions



Rough Openings



Nominal Width	Pocket Door System Rough Opening	Exposed Door R.O. (-1/2")	Door R.O. (+3/4")
1'6"	37"	17-1/2"	18-3/4"
1'8"	41"	19-1/2"	20-3/4"
2'0"	49"	23-1/2"	24-3/4"
2'4"	57"	27-1/2"	28-3/4"
2'6"	61"	29-1/2"	30-3/4"
2'8"	65"	31-1/2"	32-3/4"
2'10"	69"	33-1/2"	34-3/4"
3'0"	73"	35-1/2"	36-3/4"
3'4"	81"	39-1/2"	40-3/4"
3'6"	85"	41-1/2"	42-3/4"
3'8"	89"	43-1/2"	44-3/4"

Prefinished Pocket Frame set Installation

Install the pocket door frame kit provided by others following its manufacturer's installation instructions.

Install drywall and finish the wall. Painting and any wall coverings are to be completed.

Hang door on the pocket door track and adjust the pocket door as required so it is plumb and rolling freely.

Roll the door into the opening leaving 3/8" inside the pocket. Place a mark on the floor at the strike end of the door (this will be your reference point to install the strike jamb).

Check the floor to determine the high side of the opening you will have to adjust the header height from this point.

Check to make sure the door has remained plumb. Adjust if required.

1. Sleeve the strike jamb onto the wall. Line the bottom of the strike jamb up with the mark you made on the floor.
2. Raise the strike jamb off the floor about 1/8" and place one screw at the bottom (if the high side of the opening is at the pocket end then raise the strike jamb the extra amount as required).
3. Plumb the strike jamb and place one screw at the top. Close the door until it is tight to the strike jamb at the bottom. Make sure the door and strike jamb are fitting together tightly. Place screws as required to hold the strike jamb in place.
4. Place the L-trim header and one L-trim upright onto wall (Note the Notch for the door guide goes at the bottom).
5. Line the header L-trim up with the strike jamb making sure it is pulled down tight to the strike jamb and place one screw to hold it in place (Note use shorter screws that will not protrude into the pocket opening).
6. Level the L-trim header placing screws beside the casing tabs.
7. Raise the L-trim upright until it is tight to the header and lined up with the end of the header placing one screw at the top to hold it in place.
8. Open the door into the pocket. If the door rolls to far back into the pocket, it will be necessary to place a shim onto the edge of the door so it is even with the L-trim when the door is open at the top of the door.



Door Frames

Prefinished Pocket Frame set Installation

9. With the door open work from the top down fastening the L-trim to the wall maintaining an even distance with the edge of the door.
10. A screw must be installed beside each casing tab on Strike jamb and L-trim pieces.

Repeat steps 1 through 10 on other side of opening.

Adjust the door guides at the bottom of the opening so the door rolls freely.

Install casing.

Sleeve the casing corner connectors into the header casing. The header casing is sighted in so that it is centered on the header. Then it is hooked over the outside of the tabs on the frame. Snap the casing down onto the tabs using an outside to inside rolling motion.

Sleeve one of the upright casings onto the header corner connector and snap down.

Adjust the casings to maintain a true 45°. Install other upright casing. Repeat casing installation on other side of the opening.



Door Frames