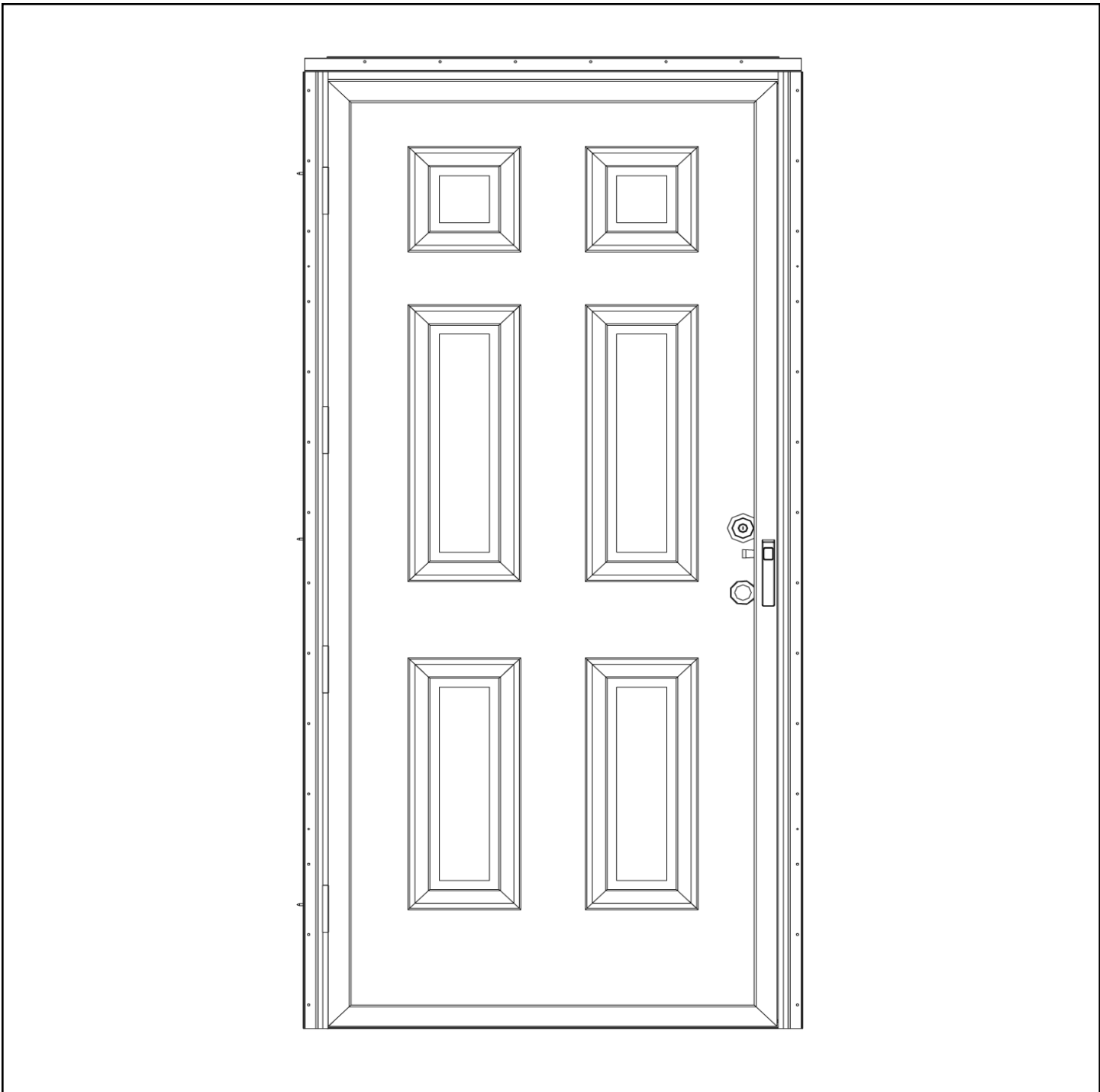




Pre-Hung Entry Door Systems

SINGLE DOOR WITH STORM INSTALLATION PROCEDURE – SERIES LE



1101 Technology Drive | Dothan, Alabama 36303
800.633.7553 | 334.794.9184 (Fax)
www.dunbarton.com | sales@dunbarton.com

AC405

BEFORE YOU BEGIN

PLEASE FOLLOW ALL INSTRUCTIONS AND ALWAYS USE PROTECTIVE EYEWEAR WHEN INSTALLING A DOOR SYSTEM. PLEASE READ INSTRUCTIONS COMPLETELY.

Preparation of Opening

Verify that opening is plumb, square and level. Measure the Finished Opening Size (Figure 1); refer to chart below to insure proper fit of Achiever® unit.

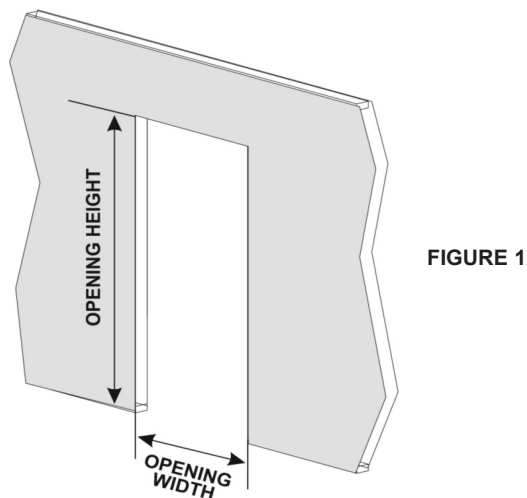


FIGURE 1

Finished Opening Sizes

Door Width	Opening Width	Opening Height		
		6'6"	6'7"	6'8"
2'8" (813mm)	34" (864mm)	78" (1981mm)	80" (2032mm)	82" (2083mm)
3'0" (914mm)	38" (965mm)	78" (1981mm)	80" (2032mm)	82" (2083mm)

INSTALLATION OF ACHIEVER LE

Step 1

Remove door from packaging. Move to install area; assemble tools & materials

- Safety glasses
- Level
- Tape measure
- Phillips head screwdriver
- Weather Seal Putty or Silicone
- #8 x 1" minimum wood attachment screws

Step 2 Apply sealant

Apply weather seal putty or silicone to the mounting flange of the steel frame (Figure 2). Apply a bead of putty or silicone across bottom of threshold (Figure 2A).

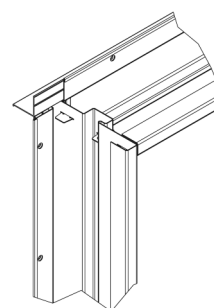


FIGURE 2

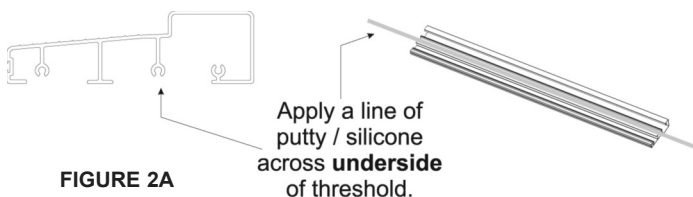


FIGURE 2A

Step 3 Install Door System in Opening

Grasp the frame on the sides, lift and tilt toward you (Figure 3). Move the door system into the opening, setting the threshold down first and then tilting the unit up into the opening. Push the door and frame towards the hinge side of the opening. Check hinge jamb to make sure it is plumb and level.

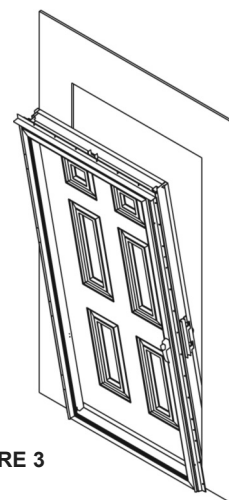


FIGURE 3

Step 4



FIGURE 4A

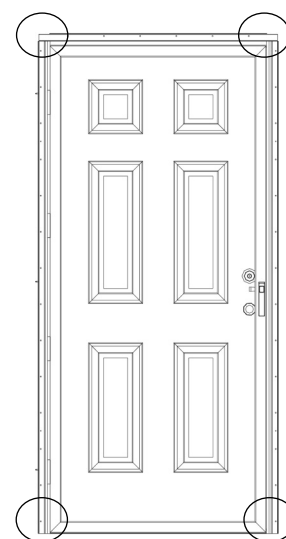


FIGURE 4

Install Screws

Install four (4) #8 x 1" wood attachment screws, one in each corner and check for proper fit of the unit (Figures 4, 4A).

Step 5
Remove Pre-hang Material

Remove tie strap from door latch bore.
 Open door and remove margin spacing clips (Figure 5).

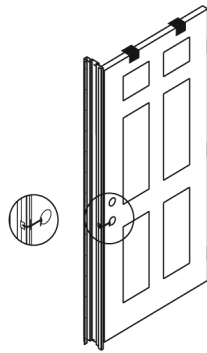


FIGURE 5

Step 6
Adjust Doors to Opening

Plumb hinge side using level and t-square; make any necessary adjustments to verify squareness/placement of the frame (Figure 6 and 6A). Install the balance of the #8 x 1" wood attachment screws into every hole. Refer to Step 13 if installing mounting screw cover.

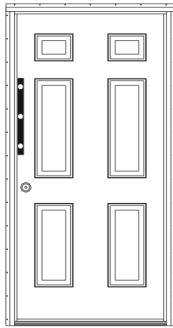


FIGURE 6

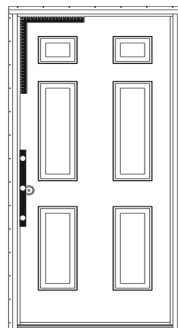


FIGURE 6A

Step 7
Install Hinge Security Screws

Install #8 x 2-1/2" flat head wood screws in the vacant hole of each hinge (Figure 7). Note: Shim behind hinge if required (Figure 7A-7B). Install shims from interior. Note: Once all attachment and security screws are installed, door unit will meet AAMA 1702.2-2002 and AAMA/NWWDA 101/I.S. 2-97. For further information, go to www.floridabuildingcode.com.

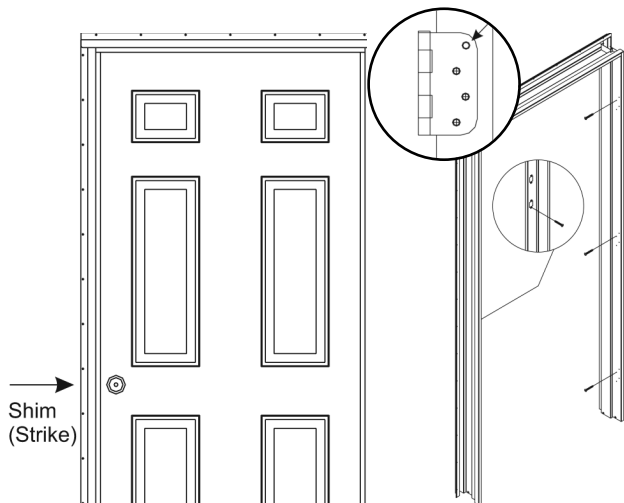


FIGURE 7A

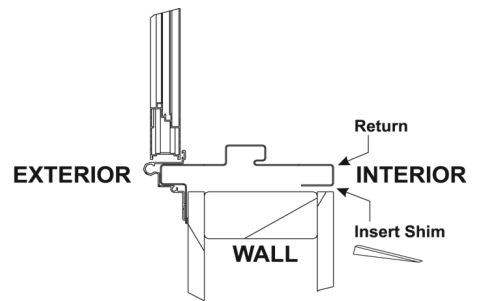


FIGURE 7B

Step 8
Install Strike Security Screws

LATCH: Remove #6 strike screw from bottom

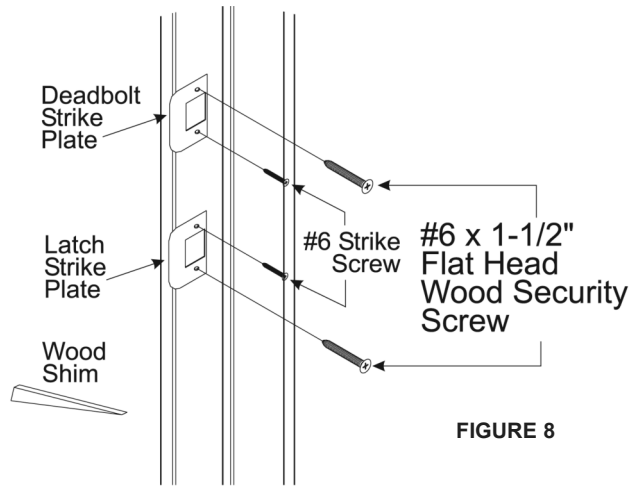


FIGURE 8

hole in latch strike plate. Install #6 x 1-1/2" long wood security screw in BOTTOM hole. Shim if necessary (Figure 8).

DEADBOLT: Remove #6 strike screw from top hole in deadbolt strike plate. Install #6 x 1-1/2" long wood security screw in TOP hole. Shim if necessary.

Step 9
Caulk Frame (as needed)

Caulk the frame where the header meets the uprights and where the threshold meets the upright (Figures 9).

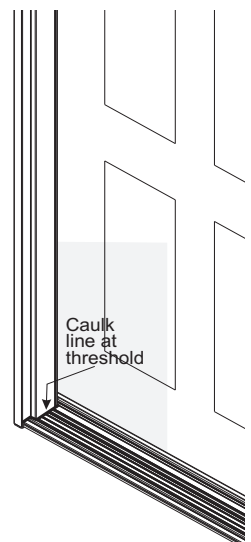
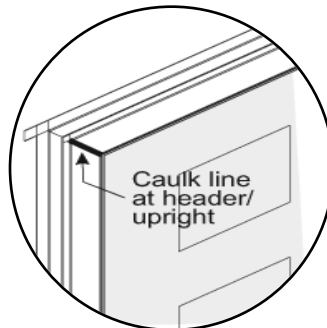


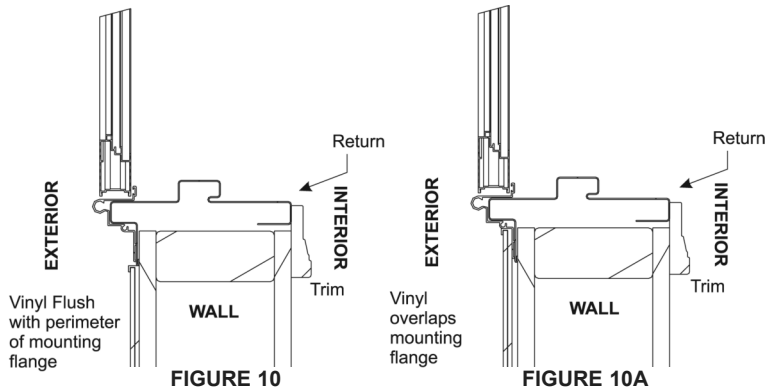
FIGURE 9

Step 10

Trim out the interior and exterior.

EXTERIOR SIDE: Vinyl siding may overlap mounting flange or fit flush around perimeter.

INTERIOR SIDE: Add trim around door so that it overlaps frame return (Figures 10, 10A).



Step 11

Install Corner Seals.

Install corner seals after final setting. Place on frame where the threshold riser meets the jamb with the thick side toward the soffet. (Figure 11).

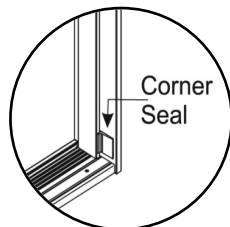


FIGURE 11

Step 12

Storm Door Hardware.

The storm door closer may be installed at the top or bottom of the frame between the storm door and entry door. Follow manufacturer's instructions for installation.

WARRANTY

The Warranty for Steel Frames manufactured by **ACHIEVER® PRODUCTS DIVISION** is to the original consumer purchaser to be free from defects in material and workmanship for a period of one (1) year from the date of purchase.

This warranty is applicable only when the product(s) covered by it have been installed in accordance with the recommended written installation instructions of **ACHIEVER® PRODUCTS DIVISION** and with established building practices, have been accorded treatment which is considered good practice in the building industry regarding storage and maintenance, and have been subject only to normal use. Because **ACHIEVER® PRODUCTS DIVISION** cannot control the manner in which its products are handled after leaving its premises, this warranty does not apply to the finish or accessories of any product.

ANY AND ALL IMPLIED WARRANTIES HERETO ARE LIMITED TO ONE (1) YEAR FROM THE DATE OF PURCHASE.

Some states do not allow limitations on how long an implied warranty lasts, so the above limitations may not apply to you. In the event the original consumer purchaser of any **ACHIEVER®** product believes that the frame or any parts thereof covered by this warranty are defective, a letter outlining the alleged defect should be sent postage prepaid to the following address:

ACHIEVER® PRODUCTS DIVISION
Division of the Dunbarton Corporation
P.O. Box 8577 Dothan, Alabama 36304-0577

Any **ACHIEVER®** Products Steel Frame, or any parts thereof covered by this warranty which, upon inspection by an authorized representative of **ACHIEVER® PRODUCTS DIVISION**, are found by said representative to be defective will be repaired, replace, or at the option of **ACHIEVER® PRODUCTS DIVISION**, the purchase price of the frame or part will be refunded and does not include labor, installation costs, finishing costs, or indirect or consequential damages of any nature. Some states do not allow the exclusion or limitation of incidental

or consequential damages, so the above limitation or exclusion may not apply to you.

This warranty gives you specific legal rights, and you may also have other rights which vary from state to state.

**INSTALLATION QUESTIONS OR MISSING PARTS?
 CALL US FIRST.**

DO NOT RETURN THIS FRAME SYSTEM TO THE STORE.

Thank you for purchasing this Achiever® product. We take pride in the products we manufacture and are confident you will be pleased with your selection. However, sometimes a product may leave our factory in less than perfect condition. If you have questions or are missing component parts necessary to complete the installation, do not return the frame to the place of purchase. Give us a call first. More than likely, we can solve the problem without the hassle and expense of returning the frame to the store. **Call Customer Service: 1-800-633-7553 from 8:00 a.m. to 5:00 p.m. CST, Monday through Friday.**

1101 Technology Drive | Dothan, Alabama 36303
800.633.7553 | 334.794.9184 (Fax)
 www.dunbarton.com | sales@dunbarton.com